



DRICONEQ™ DRILLING ACCESSORIES



With quality and service in focus | driconeq.com

Driconeq AB

Postadress / Mail address

Box 325, SE-686 26 Sunne
Sweden

Besöksadress / Visiting address

Svetsarvägen 4, Sunne
Sweden

Tel. +46 (0)565-121 10

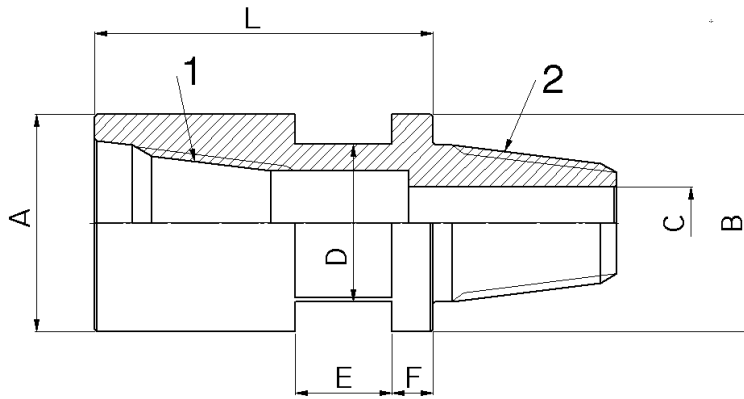
Fax. +46 (0)565-146 20

E-mail: sales@driconeq.com

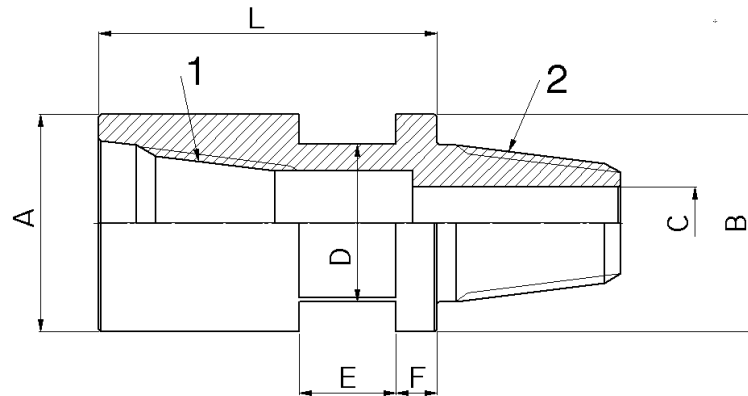
www.driconeq.com

Innehållsförteckning / Index

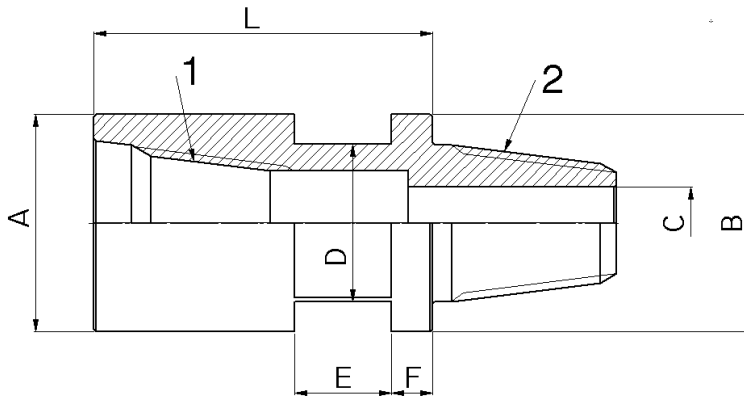
1	Övergångar / Adapters	Box x Pin
16	Övergångar / Adapters	Box x Box
20	Övergångar / Adapters	Pin x Pin
23	Övergångar / Adapters	BPI type
26	Retrac	
27	Vingstyrningar / Guide sleeves	
31	Styrrör / Guide rods	
32	Tillbehör / Accessories DTH-Hammer	
34	Stabilizers	
36	Backventiler / In line check valves	
40	Borrskor / Casing shoes	
41	Rymmare / Hole openers	
42	Kronskaft / Shanks	
43	Nycklar / Wrenches	
44	Lyftpluggar / Hoist plugs	
45	Svivelyftpluggar / Swivel lifting plugs	
46	Fångstverktyg / Fishing tools	
47	Lyftslingor / Lifting slings	
48	Hydraulmanchett / Hydraulic packer	



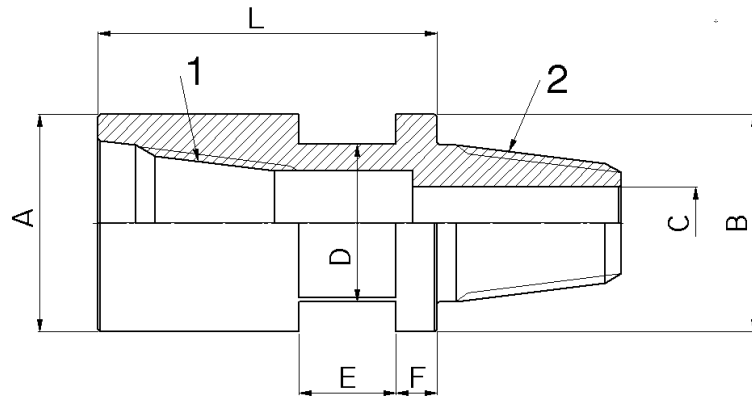
Thread Box 1	Thread Pin 2	Measurements, mm							Product No.
		L	A	B	C	D	E	F	
ACT(NWY)	ACT(NWY)	140	70	70	30	55	40	15	11-1565
ACT(NWY)	RD50-6	175	70	70	30	55	40	15	11-1001
ACT(NWY)	2 3/8" Reg	144	76	76	30	65	40	15	11-1002
ACT(NWY)	2 3/8" IF	144	89	89	43	65	40	15	11-1494
ACT(NWY)	2 7/8" Reg	144	89	89	34	65	40	15	11-1445
ACT(NWY)	3 1/2" Reg	135	70	115	43	95	50	15	11-1003
AWJ	2 3/8" Reg	145	76	76	25	65	40	20	11-1600
AWJ	2 7/8" IF	440	114	114	25	95	50	305	11-1334
CR60	CR60	300	60	60	22	41	50	210	11-1619
GG 2"	Haus	140	76	76	25	65	40	20	11-1636
GG 2"	2 3/8" Reg	150	89	89	30	65	40	20	11-1635
Haus	GG2"	140	76	76	25	65	40	20	11-1637
Haus	2 3/8" Reg	140	76	76	30				11-1351



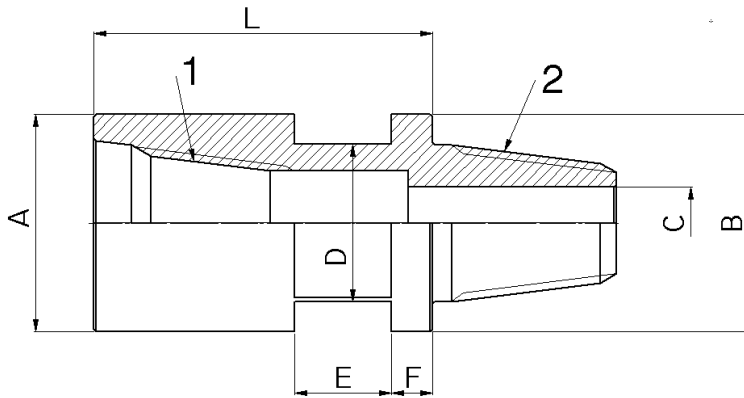
Thread Box 1	Thread Pin 2	Measurements, mm							Product No.
		L	A	B	C	D	E	F	
NC 35	NC 35	165	114	114	58	95	50	20	11-1073
NC 35	2 7/8" Reg	165	114	114	36	95	50	20	11-1070
NC 35	2 7/8" IF	165	114	114	53	95	50	20	11-1071
NC 35	3 1/2" Reg	165	114	114	43	95	50	20	11-1072
NC 35	3 1/2" IF	165	114	114	58	95	50	20	11-1074
NC 35	4 1/2" Reg	140	114	146	58	120	50	20	11-1075
NC 35	4 1/2" FH	140	114	146	76	120	50	20	11-1076
NC 35	6 5/8" Reg	173	146	197	80	178	50	20	11-1077
2" Z	Beco 3"	100	82	102	38	65	75	25	11-1528
2" Z	2 3/8" Reg	106	74	79	30	65	75	31	11-1527
2" Z	3 1/2" Reg	100	82	102	38	66	75	25	11-1551
2" Z	3 1/2" Reg	165	76	115	38	65	40	65	11-1272
2 1/4" Z	2 3/8" Reg	140	89	89	30	65	40	20	11-1406
2 1/2" Z	3 1/2" Reg	100	96	102	43	85	76	24	11-1393



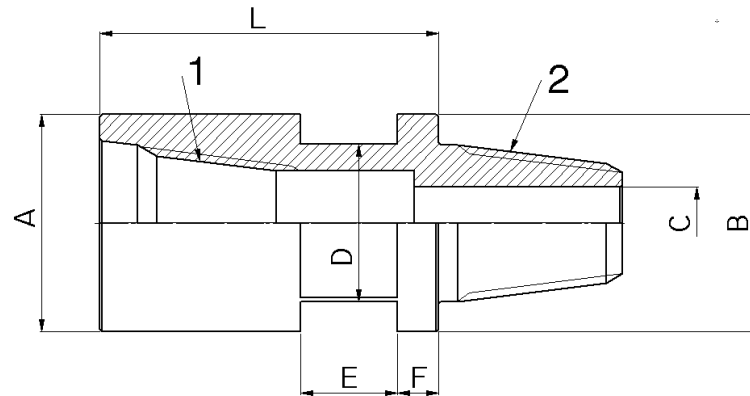
Thread Box 1	Thread Pin 2	Measurements, mm							Product No.
		L	A	B	C	D	E	F	
RD 40-6	2 3/8" Reg	135	76	76	30	65	40	27	11-1443
RD 50-6	RD 50-6	114	70	70	30	55	40	15	11-1004
RD 50-6	RD 50-6	155	70	70	30	55	40	15	11-1006
RD 50-6	RD 50-6	350	70	70	30	55	40	15	11-1474
RD 50-6	2 3/8" Reg	135	76	76	30	65	40	27	11-1005
RD 70-4	RD 50-6	155	89	89	30	65	40	30	11-1007
RD 70-4	RD 70-4	155	89	89	43	65	40	20	11-1008
RD 70-4	RD 70-4	460	89	89	43	65	40	20	11-1009
RD 70-4	RD 70-4	700	89	89	43	65	40	576	11-1576
RD 70-4	2 3/8" Reg	139	89	89	30	65	40	15	11-1010
RD 70-4	2 3/8" Reg	152	89	89	30	65	40	28	11-1550
RD 70-4	2 3/8" IF	144	89	89	43	65	40	15	11-1011
RD 70-4	3 1/2" Reg	155	114	114	43	95	50	20	11-1012



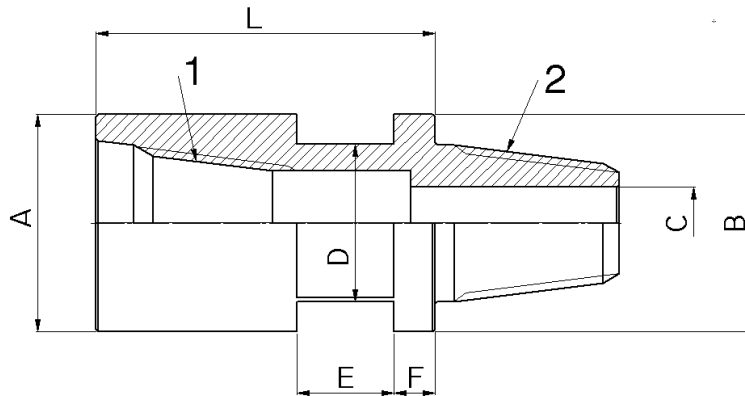
Thread Box 1	Thread Pin 2	Measurements, mm							Product No.
		L	A	B	C	D	E	F	
2 3/8" Reg	ACT(NWY)	145	76	76	30	65	40	20	11-1014
2 3/8" Reg	AWJ	145	76	76	13	65	40	20	11-1599
2 3/8" Reg	Beco 3"	101	90	102	38	76	76		11-1489
2 3/8" Reg	GG 2"	140	89	89	25	65	40	17	11-1634
2 3/8" Reg	Haus	470	76	76	25				11-1350
2 3/8" Reg	HS-6	154	89	89	38	65	50	21	11-1235
2 3/8" Reg	HW	145	89	89	43	65	40	20	11-1617
2 3/8" Reg	NW	150	76	67	30	65	40	25	11-1372
2 3/8" Reg	RD 40-6	145	76	76	22	65	40	27	11-1346
2 3/8" Reg	RD 50-6	145	76	76	30	65	40	27	11-1015
2 3/8" Reg	RD 56-6	125	76	76	30				11-1461
2 3/8" Reg	RD 70-4	145	89	89	43	65	40	15	11-1016
2 3/8" Reg	RD 70-4	250	89	89	43	65	40	15	11-1247
2 3/8" Reg	RD 70-4	340	89	89	43	65	40	215	11-1592
2 3/8" Reg	RD 70-4	350	89	89	43	65	40	25	11-1473
2 3/8" Reg	RD 70-4	440	89	89	43	65	40	315	11-1017
2 3/8" Reg	RD 70-4	440	89	89	43	65	40	140	11-1422
2 3/8" Reg	RD 70-4	460	89	89	43	65	40	335	11-1495
2 3/8" Reg	RD 70-4	500	89	89	43	65	40	375	11-1611
2 3/8" Reg	RD 70-4	500	89	89	43	65	40	30	11-1605
2 3/8" Reg	RD 70-4	550	89	89	43	65	40	15	11-1321
2 3/8" Reg	RD 70-4	600	89	89	43	65	40	470	11-1459
2 3/8" Reg	RD 70-4	600	89	89	43	65	40	15	11-1230
2 3/8" Reg	RD 70-4	320	100	100	43				11-1394
2 3/8" Reg	RD 70-4	440	102	102	43	65	40	315	11-1590
2 3/8" Reg	2" Z	140	76	76	25	65	40	17	11-1561
2 3/8" Reg	2 1/4" Z	140	89	89	25	65	40	25	11-1226
2 3/8" Reg	2 1/2" Z	190	89	89	30	65	40	25	11-1027



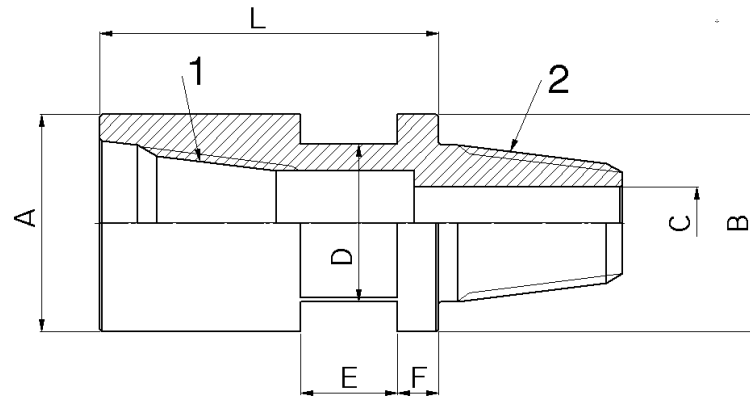
Thread Box 1	Thread Pin 2	Measurements, mm							Product No.
		L	A	B	C	D	E	F	
2 3/8" Reg	2 3/8" Reg	140	76	76	30	65	40	17	11-1018
2 3/8" Reg	2 3/8" Reg	140	76	76	30				11-1019
2 3/8" Reg	2 3/8" Reg	203	89	76	30	65	40	27	11-1389
2 3/8" Reg	2 3/8" Reg	300	76	76	30	65	40	17	11-1303
2 3/8" Reg	2 3/8" Reg	305	76	76	30				11-1579
2 3/8" Reg	2 3/8" Reg	400	76	76	30	65	40	17	11-1225
2 3/8" Reg	2 3/8" Reg	410	76	76	30	65	40	285	11-1568
2 3/8" Reg	2 3/8" Reg	435	76	76	30	65	40	310	11-1577
2 3/8" Reg	2 3/8" Reg	460	76	76	30	65	40	335	11-1569
2 3/8" Reg	2 3/8" Reg	460	76	76	30				11-1571
2 3/8" Reg	2 3/8" Reg	500	76	76	30	65	40	20	11-1431
2 3/8" Reg	2 3/8" Reg	550	76	76	30	65	40	425	11-1549
2 3/8" Reg	2 3/8" Reg	609	76	76	30	57	102	387	11-1292
2 3/8" Reg	2 3/8" Reg	140	80	80	30	65	40	17	11-1572
2 3/8" Reg	2 3/8" Reg	420	80	82,5	30	70	50	250	11-1644
2 3/8" Reg	2 3/8" Reg	100	89	89	30				11-1253
2 3/8" Reg	2 3/8" Reg	140	89	89	30	65	40	17	11-1020
2 3/8" Reg	2 3/8" Reg	140	89	89	30				11-1021
2 3/8" Reg	2 3/8" Reg	152	89	89	30	70	50	17	11-1466
2 3/8" Reg	2 3/8" Reg	170	89	89	30	65	40	17	11-1496
2 3/8" Reg	2 3/8" Reg	200	89	89	30	65	40	75	11-1573
2 3/8" Reg	2 3/8" Reg	203	89	89	30	65	40	25	11-1355
2 3/8" Reg	2 3/8" Reg	225	89	89	30				11-1374
2 3/8" Reg	2 3/8" Reg	225	89	89	30	65	40	75	11-1263
2 3/8" Reg	2 3/8" Reg	250	89	89	30	65	40	100	11-1261
2 3/8" Reg	2 3/8" Reg	240	89	89	30	65	40	115	11-1359



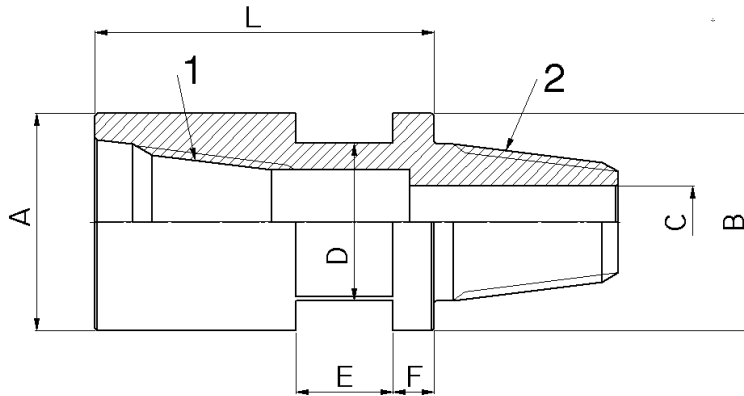
Thread Box 1	Thread Pin 2	Measurements, mm							Product No.
		L	A	B	C	D	E	F	
2 3/8" Reg	2 3/8" Reg	270	89	89	30	65	40	17	11-1022
2 3/8" Reg	2 3/8" Reg	305	89	89	30				11-1202
2 3/8" Reg	2 3/8" Reg	320	89	89	30	65	40	195	11-1641
2 3/8" Reg	2 3/8" Reg	360	89	89	30	65	40	235	11-1425
2 3/8" Reg	2 3/8" Reg	400	89	89	30	65	40	17	11-1234
2 3/8" Reg	2 3/8" Reg	420	89	89	30	70	50	250	11-1555
2 3/8" Reg	2 3/8" Reg	440	89	89	30	65	40	315	11-1284
2 3/8" Reg	2 3/8" Reg	440	89	89	30	65	40	17	11-1347
2 3/8" Reg	2 3/8" Reg	450	89	89	20	65	40	27	11-1183
2 3/8" Reg	2 3/8" Reg	450	89	89	20				11-1184
2 3/8" Reg	2 3/8" Reg	500	89	89	30	65	40	17	11-1275
2 3/8" Reg	2 3/8" Reg	525	89	89	30	65	40	400	11-1566
2 3/8" Reg	2 3/8" Reg	550	89	89	30	65	40	425	11-1535
2 3/8" Reg	2 3/8" Reg	550	89	89	30	65	40	30	11-1455
2 3/8" Reg	2 3/8" Reg	580	89	89	30	65	40	460	11-1310
2 3/8" Reg	2 3/8" Reg	580	89	89	30	65	40	17	11-1606
2 3/8" Reg	2 3/8" Reg	580	89	89	30				11-1503
2 3/8" Reg	2 3/8" Reg	600	89	89	30	65	40	475	11-1356
2 3/8" Reg	2 3/8" Reg	600	89	89	30	65	40	17	11-1245
2 3/8" Reg	2 3/8" Reg	140	102	102	30	75	40	20	11-1024
2 3/8" Reg	2 3/8" Reg	300	102	102	30	75	40	20	11-1476
2 3/8" Reg	2 3/8" Reg	300	115	115	30	95	50	20	11-1306



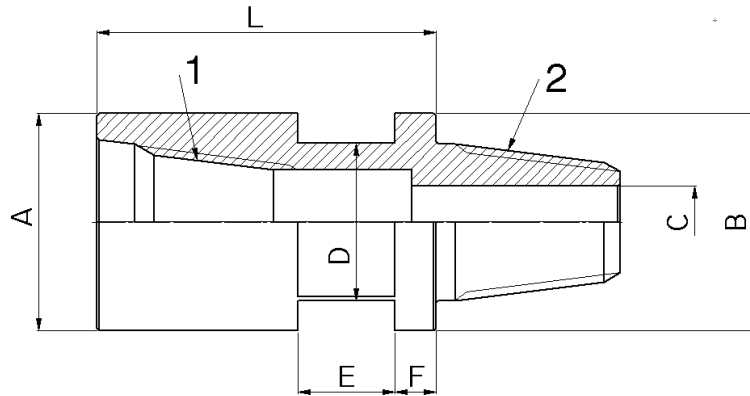
Thread Box 1	Thread Pin 2	Measurements, mm							Product No.
		L	A	B	C	D	E	F	
2 3/8" Reg	2 3/8" IF	144	89	89	43	65	40	25	11-1025
2 3/8" Reg	2 3/8" IF	140	102	102	43	75	40	25	11-1026
2 3/8" Reg	2 3/8" IF	180	89	89	43	70	50	30	11-1433
2 3/8" Reg	2 3/8" IF	210	89	89	43	65	40	85	11-1378
2 3/8" Reg	2 3/8" IF	300	89	89	43	65	40	175	11-1436
2 3/8" Reg	2 3/8" IF	300	89	89	43				11-1502
2 3/8" Reg	2 3/8" IF	500	89	89	43	65	40	25	11-1584
2 3/8" Reg	2 3/8" IF	610	89	89	43	65	40	25	11-1287
2 3/8" Reg	2 7/8" Reg	130	102	102	38	75	40	17	11-1029
2 3/8" Reg	2 7/8" Reg	140	89	89	38	65	40	17	11-1028
2 3/8" Reg	2 7/8" IF	120	114	114	43	95	50	25	11-1030
2 3/8" Reg	2 7/8" IF	152	89	114	43	65	40	32	11-1240
2 3/8" Reg	2 7/8" IF	300	89	114	43	65	40	175	11-1608
2 3/8" Reg	2 7/8" IF	350	89	114	43	65	40	232	11-1305
2 3/8" Reg	2 7/8" IF	701	89	102	30	57	102	466	11-1291
2 3/8" Reg	3 1/2" Reg	100	96,5	101,6	43	85	76	24	11-1452
2 3/8" Reg	3 1/2" Reg	120	114	114	43	95	50	25	11-1031
2 3/8" Reg	3 1/2" Reg	305	114	114	43				11-1532
2 3/8" Reg	3 1/2" Reg	370	114	114	43	95	50	275	11-1032
2 3/8" Reg	3 1/2" Reg	550	89	114	43	95	30	10	11-1559



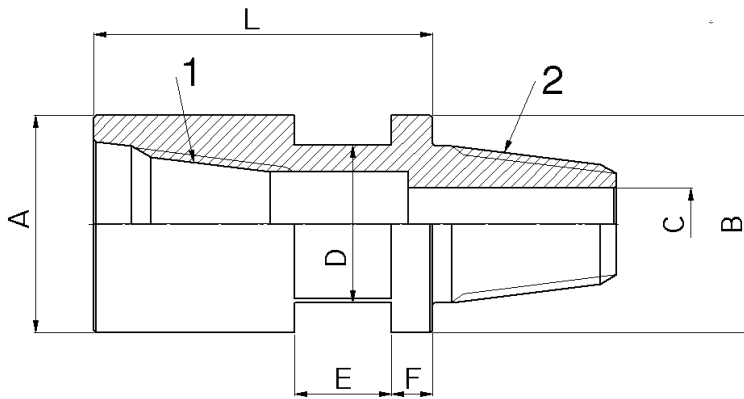
Thread Box 1	Thread Pin 2	Measurements, mm							Product No.
		L	A	B	C	D	E	F	
2 3/8" Reg	3 1/2" IF	120	89	114	43	95	50	20	11-1126
2 3/8" Reg	3 1/2" IF	355	89	127	43	63	40	215	11-1609
2 3/8" Reg	3 1/2" Z	120	89	114	43	95	50	30	11-1314
2 3/8" Reg	4 1/2" Reg	160	89	140	43	120	50	30	11-1407
2 3/8" Reg	4 1/2" Reg	677	89	140	38	65	50	120	11-1299
2 3/8 MA.JR.	2 7/8" Reg	130	102	102	38	75	50	25	11-1458
2 3/8" IF	ACT(NWY)	160	89	89	30	65	40	20	11-1493
2 3/8" IF	RD 70-4	160	89	89	43	65	40	20	11-1033
2 3/8" IF	RD 70-4	440	89	89	43	65	40	30	11-1326
2 3/8" IF	2 3/8" Reg	164	89	89	30	65	40	20	11-1034
2 3/8" IF	2 3/8" Reg	225	89	89	43	65	40	20	11-1340
2 3/8" IF	2 3/8" Reg	305	102	102	43				11-1325
2 3/8" IF	2 3/8" IF	170	89	89	43	65	40	20	11-1208
2 3/8" IF	2 3/8" IF	180	89	89	43	70	50	30	11-1432
2 3/8" IF	2 3/8" IF	203	89	89	38	76	50	57	11-1558
2 3/8" IF	2 3/8" IF	300	89	89	43	65	50	20	11-1534
2 3/8" IF	2 3/8" IF	400	89	89	43	65	50	250	11-1329
2 3/8" IF	2 3/8" IF	500	89	89	43	65	50	30	11-1468
2 3/8" IF	2 7/8" Reg	164	89	89	36	65	40	20	11-1604
2 3/8" IF	2 7/8" IF	152	114	114	43	95	50	30	11-1469



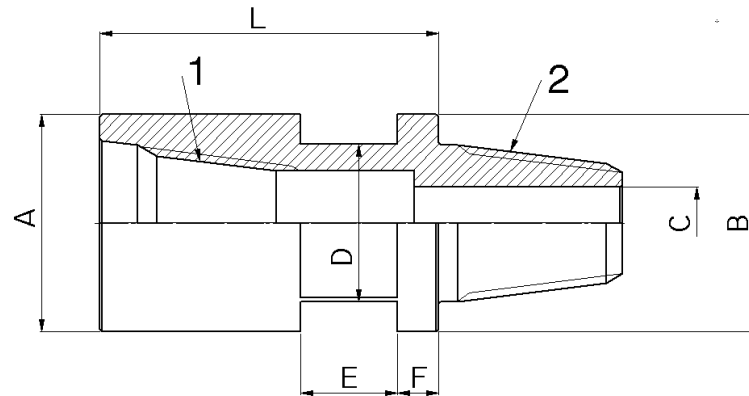
Thread Box 1	Thread Pin 2	Measurements, mm							Product No.
		L	A	B	C	D	E	F	
2 3/8" IF	3 1/2" Reg	152	114	114	43	95	50	17	11-1603
2 3/8" IF	3 1/2" Reg	160	114	114	43	95	50	20	11-1035
2 3/8" IF	3 1/2" Reg	180	114	114	43	76	50	28	11-1437
2 3/8" IF	3 1/2" Reg	500	114	114	43	95	50	360	11-1632
2 3/8" IF	3 1/2" Reg	609	89	114	38	76	63	450	11-1518
2 3/8" IF	3 1/2" IF	160	114	114	53	95	50	20	11-1507
2 7/8" Reg	2 3/8 MA.JR.	160	102	102	30	75	50	25	11-1457
2 7/8" Reg	2 3/8" Reg	154	89	89	30	65	40	10	11-1036
2 7/8" Reg	2 3/8" IF	170	89	89	43	65	40	25	11-1332
2 7/8" Reg	2 3/8" IF	300	89	89	43	65	40	25	11-1647
2 7/8" Reg	2 7/8" Reg	170	89	89	36	65	40	25	11-1380
2 7/8" Reg	2 7/8" Reg	203	102	102	36	89	50	25	11-1575
2 7/8" Reg	2 7/8" Reg	609	89	89	34	70	50	30	11-1629
2 7/8" Reg	2 7/8" IF	120	114	114	43	95	50	30	11-1282
2 7/8" Reg	2 7/8" IF	150	114	114	43	95	50	25	11-1037
2 7/8" Reg	3 1/2" Reg	150	114	114	43	95	50	30	11-1039
2 7/8" Reg	3 1/2" Reg	305	114	114	43	95	50	30	11-1286
2 7/8" Reg	3 1/2" Reg	305	102	114	43				11-1580
2 7/8" Reg	3 1/2" IF	160	114	114	43	95	50	25	11-1041
2 7/8" Reg	4 1/2" Reg	160	140	140	43	120	50	30	11-1042



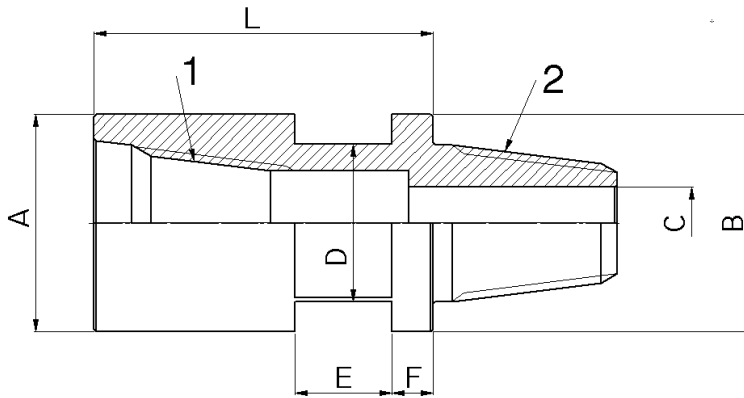
Thread Box 1	Thread Pin 2	Measurements, mm							Product No.
		L	A	B	C	D	E	F	
2 7/8" IF	2 3/8" Reg	202	114	89	30	65	50	15	11-1043
2 7/8" IF	2 7/8" Reg	160	114	89	36	95	50	15	11-1044
2 7/8" IF	2 7/8" IF	160	114	114	47	95	50	25	11-1423
2 7/8" IF	3 1/2" Reg	160	114	114	43	95	50	25	11-1045
2 7/8" IF	3 1/2" Reg	370	114	114	43	95	50	25	11-1040
2 7/8" IF	3 1/2" IF	160	114	114	58	95	50	20	11-1046
2 7/8" IF	3 1/2" IF	610	114	114	58	95	50	20	11-1047
2 7/8" IF	6 5/8" Reg	175	114	197	80	178	50	20	11-1048
3 1/2" Reg	ACT(NWY)	155	117	114	30	95	50	30	11-1050
3 1/2" Reg	BQ	159	114	55	30	95	84		11-1388
3 1/2" Reg	#28	140	127	127	36	95	50	15	11-1060
3 1/2" Reg	#28	160	114	114	36	95	50	20	11-1059
3 1/2" Reg	RD 70-4	200	114	89	43	95	50	65	11-1051
3 1/2" Reg	RD 70-4	300	114	89	43	95	50	165	11-1293
3 1/2" Reg	RD 70-4	440	114	89	43	65	40	15	11-1254
3 1/2" Reg	RD 110-4	175	140	140	58	120	50	25	11-1256
3 1/2" Reg	NC 36	160	114	114	58	95	50	25	11-1065
3 1/2" Reg	NC40	150	114	130	58	98	50	25	11-1219
3 1/2" Reg	2" Z	210	114	76	25	65	40	15	11-1271
3 1/2" Reg	2 1/2" Z	261	114	76	30	76	70	51	11-1222
3 1/2" Reg	2 3/8" Reg	120	114	114	30	95	40	15	11-1400
3 1/2" Reg	2 3/8" Reg	160	114	114	30	95	50	25	11-1053
3 1/2" Reg	2 3/8" Reg	175	114	114	30	65	40	15	11-1376
3 1/2" Reg	2 3/8" Reg	220	114	114	30	95	50	75	11-1384
3 1/2" Reg	2 3/8" Reg	240	114	89	30	65	40	35	11-1642
3 1/2" Reg	2 3/8" Reg	300	114	89	30	65	40	15	11-1052
3 1/2" Reg	2 3/8" Reg	500	114	89	30	65	40	15	11-1203



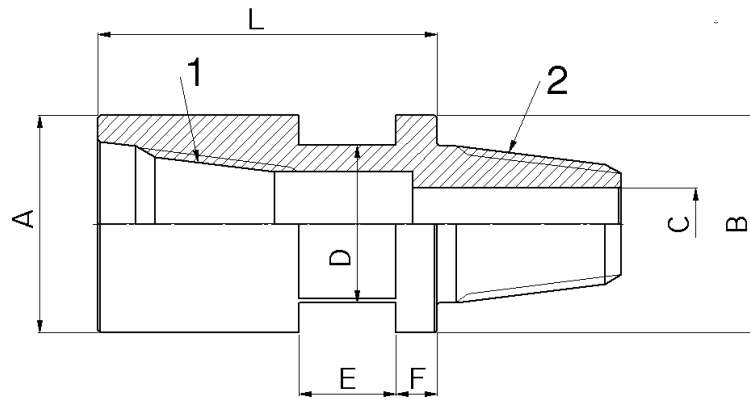
Thread Box 1	Thread Pin 2	Measurements, mm							Product No.
		L	A	B	C	D	E	F	
3 1/2" Reg	2 3/8" IF	160	114	114	43	95	40	30	11-1055
3 1/2" Reg	2 3/8" IF	184	114	89	43	95	50	54	11-1054
3 1/2" Reg	2 3/8" IF	368	114	89	38				11-1516
3 1/2" Reg	2 3/8" IF	406	114	89	43	65	40	25	11-1308
3 1/2" Reg	2 7/8" Reg	160	114	114	38	95	50	25	11-1056
3 1/2" Reg	2 7/8" Reg	370	114	114	38	95	50	235	11-1057
3 1/2" Reg	2 7/8" Reg	609	102	102	33	76	50	50	11-1643
3 1/2" Reg	2 7/8" IF	125	114	114	43				11-1497
3 1/2" Reg	2 7/8" IF	160	114	114	53	95	50	25	11-1058
3 1/2" Reg	2 7/8" IF	160	114	114	47				11-1385
3 1/2" Reg	2 7/8" IF	320	114	114	43	95	50	185	11-1492
3 1/2" Reg	2 7/8" IF	410	114	114	53	95	50	10	11-1451
3 1/2" Reg	2 7/8" IF	440	114	114	43	95	50	305	11-1345
3 1/2" Reg	2 7/8" IF	609	114	114	43	90	50	30	11-1428
3 1/2" Reg	3 1/2" Reg	160	114	114	43	95	50	20	11-1061
3 1/2" Reg	3 1/2" Reg	200	114	114	43	95	50	25	11-1552
3 1/2" Reg	3 1/2" Reg	228	114	114	43	89	76	25	11-1352
3 1/2" Reg	3 1/2" Reg	267	114	114	43	89	70	25	11-1597
3 1/2" Reg	3 1/2" Reg	275	114	114	43				11-1062
3 1/2" Reg	3 1/2" Reg	305	114	114	43				11-1578
3 1/2" Reg	3 1/2" Reg	355	114	114	43				11-1460
3 1/2" Reg	3 1/2" Reg	370	114	114	43	95	50	20	11-1063
3 1/2" Reg	3 1/2" Reg	400	114	114	43	95	50	260	11-1620
3 1/2" Reg	3 1/2" Reg	406							11-1354
3 1/2" Reg	3 1/2" Reg	406	114	114	43	95	50	254	11-1612
3 1/2" Reg	3 1/2" Reg	450	114	114	43	95	50	15	11-1462
3 1/2" Reg	3 1/2" Reg	457	114	114	43	89	60	75	11-1475
3 1/2" Reg	3 1/2" Reg	500	114	114	43	95	50	360	11-1357



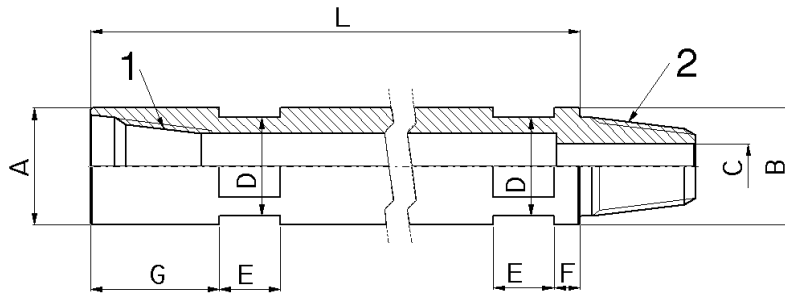
Thread Box 1	Thread Pin 2	Measurements, mm							Product No.
		L	A	B	C	D	E	F	
3 1/2" Reg	3 1/2" Reg	500	140	140	43	120	50	25	11-1560
3 1/2" Reg	3 1/2" Reg	750	114	114	43	95	50	20	11-1244
3 1/2" Reg	3 1/2" Reg	787	114	114	43	89	76	102	11-1336
3 1/2" Reg	3 1/2" Reg	900	114	114	43	95	50	20	11-1201
3 1/2" Reg	3 1/2" IF	160	114	114	58	95	50	25	11-1066
3 1/2" Reg	3 1/2" Beco	609	127	127	38	76	108	63	11-1524
3 1/2" Reg	3 1/2" Beco	609	140	140	38	76	108	63	11-1526
3 1/2" Reg	4" IF	482	114	152	58	95	50	312	11-1610
3 1/2" Reg	4 1/2" Reg	132	114	146	58	120	50	20	11-1067
3 1/2" Reg	4 1/2" FH	160	114	146	76	120	50	20	11-1068
3 1/2" Reg	6 5/8" Reg	175	197	197	58	178	50	30	11-1069
3 1/2" FH	3 1/2" FH	460	140	140	58	120	50	30	11-1182
3 1/2" FH	4 1/2" Reg	140	140	140	58	120	50	25	11-1553
3 1/2" IF	2 3/8" IF	195	120	89	43	65	40	15	11-1297
3 1/2" IF	2 7/8" IF	200	120	114	53	95	50	25	11-1078
3 1/2" IF	3 1/2" Reg	200	120	114	43	95	50	25	11-1079
3 1/2" IF	3 1/2" Reg	254	127	127	43	95	50	79	11-1319
3 1/2" IF	3 1/2" Reg	457	120	120	43	95	50	282	11-1320
3 1/2" IF	3 1/2" IF	200	120	120	58	95	50	25	11-1211
3 1/2" IF	4 1/2" Reg	140	140	140	58	120	50	20	11-1504
3 1/2" IF	6 5/8" Reg	173	197	197	80	178	50	30	11-1080



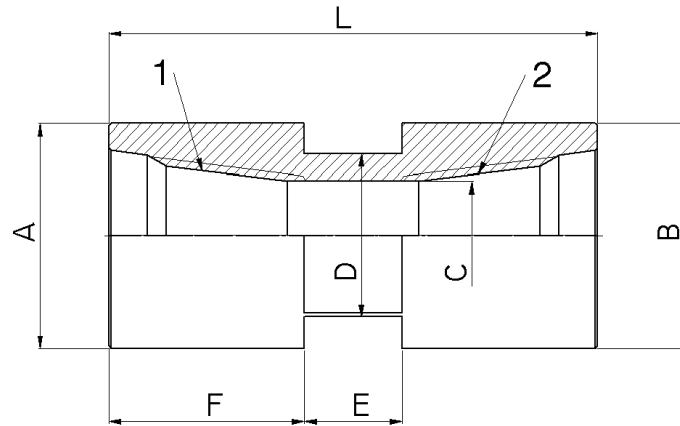
Thread Box 1	Thread Pin 2	Measurements, mm							Product No.
		L	A	B	C	D	E	F	
3 1/2" Beco	3 1/2" Reg	228	114	114	43				11-1523
3 1/2" Beco	3 1/2" Beco	228	127	120	38	95	50	38	11-1621
3 1/2" Beco	5 1/2" Reg	375	171	127	58	88,9	50	171	11-1515
4" FH	2 7/8" IF	175	140	114	53	120	40	20	11-1315
4 1/2" Reg	NC35	235	146	114	58	95	50	15	11-1229
4 1/2" Reg	2 3/8" Reg	219	146	89	30	65	40	20	11-1081
4 1/2" Reg	2 3/8" IF	219	146	89	43	65	40	15	11-1207
4 1/2" Reg	2 7/8" Reg	200	146	89	38	120	50	30	11-1082
4 1/2" Reg	2 7/8" IF	210	146	114	53	95	50	15	11-1083
4 1/2" Reg	2 7/8" IF	600	140	114	43	120	50	445	11-1382
4 1/2" Reg	3 1/2" Reg	235	146	114	43	95	50	15	11-1084
4 1/2" Reg	3 1/2" Reg	305	146	114	43	95	50	15	11-1583
4 1/2" Reg	3 1/2" Reg	420	146	114	43	95	50	25	11-1586
4 1/2" Reg	3 1/2" Reg	500	140	140	43	120	50	25	11-1557
4 1/2" Reg	3 1/2" FH	235	140	114	58	95	50	15	11-1554
4 1/2" Reg	3 1/2" IF	235	146	114	58	95	50	15	11-1454
4 1/2" Reg	3 1/2" Beco	609	140	120	38	76	108	63	11-1525
4 1/2" Reg	4 1/2" Reg	170	146	146	58	120	50	20	11-1591
4 1/2" Reg	4 1/2" Reg	317	140	140	58	120	50	20	11-1233
4 1/2" Reg	4 1/2" Reg	317	168	168	58	120	50	20	11-1383
4 1/2" Reg	4 1/2" Beco	889	178	178	58	127	50	76	11-1622
4 1/2" Reg	6 5/8" Reg	180	146	200	58	178	50	35	11-1085



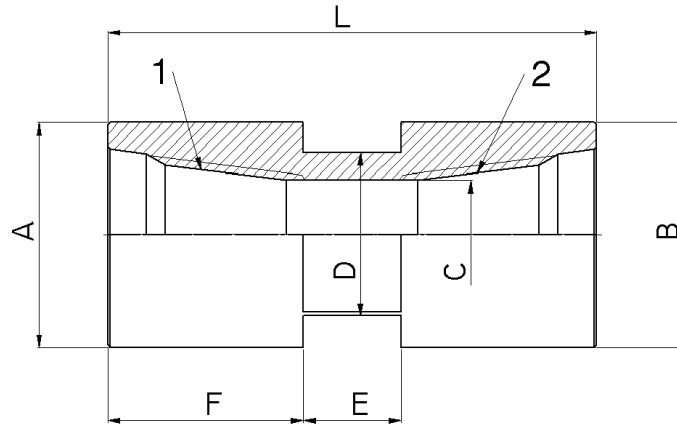
Thread Box 1	Thread Pin 2	Measurements, mm							Product No.
		L	A	B	C	D	E	F	
4 1/2" FH	2 7/8" IF	200	146	115	53	120	50	20	11-1086
4 1/2" FH	3 1/2" Reg	200	146	115	43	120	50	20	11-1087
4 1/2" FH	3 1/2" IF	200	146	120	58	120	50	20	11-1088
4 1/2" FH	4 1/2" Reg	200	146	146	58	120	50	20	11-1089
4 1/2" FH	6 5/8" Reg	260	146	197	80	120	50	20	11-1090
4 1/2" IF	4 1/2" IF	200	152	152	80				11-1369
5 1/2" IF	4 1/2" IF	300	197	168	70				11-1416
6 5/8" Reg	NC 35	260	197	114	58	95	50	15	11-1094
6 5/8" Reg	2 7/8" Reg	295	197	102	36	75	40	20	11-1091
6 5/8" Reg	2 7/8" IF	300	197	114	53	120	50	50	11-1092
6 5/8" Reg	3 1/2" Reg	300	197	114	43	120	50	50	11-1093
6 5/8" Reg	3 1/2" Reg	857	197	114	43	90	50	30	11-1426
6 5/8" Reg	3 1/2" IF	260	197	120	58	95	50	15	11-1095
6 5/8" Reg	4 1/2" Reg	293	197	140	58	120	50	20	11-1096
6 5/8" Reg	4 1/2" Reg	285	197	168	58	120	50	30	11-1381
6 5/8" Reg	4 1/2" Reg	750	197	168	58	140	50	30	11-1594
6 5/8" Reg	6 5/8" Reg	207	194	194	80	152	50	30	11-1283
6 5/8" Reg	6 5/8" Reg	207	203	203	80				11-1490
6 5/8" Reg	6 5/8" IF	198	200	225	89	178	50	48	11-1172
7 5/8" Reg	6 5/8" Reg	200	225	200	89	178	50	50	11-1097
7 5/8" Reg	6 5/8" Reg	300	225	200	89	178	50	50	11-1424
7 5/8" Reg	6 5/8" Reg	609	225	197	80	114	50	50	11-1429
10" Beco	10" Beco	305	305	305	120	265	80	35	11-1625



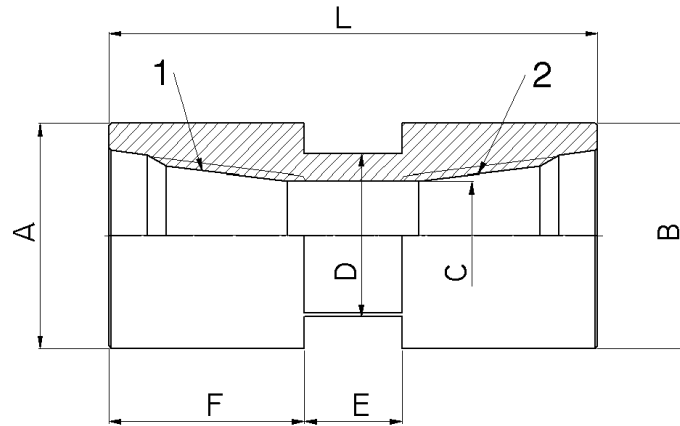
Thread Box 1	Thread Pin 2	Measurements, mm								Product No.
		L	A	B	C	D	E	F	G	
2 3/8" Reg	2 3/8" Reg	500	76	76	30	65	40	17	85	11-1111
2 3/8" Reg	2 3/8" Reg	600	76	76	30	65	40	25	85	11-1290
2 3/8" Reg	RD 70-4	500	89	89	43	65	40	15	85	11-1373
2 3/8" Reg	2 3/8" Reg	380	89	89	30	65	40	17	85	11-1581
2 3/8" Reg	2 3/8" Reg	400	89	89	30	65	40	17	85	11-1316
2 3/8" Reg	2 3/8" Reg	440	89	89	30	65	40	17	85	11-1252
2 3/8" Reg	3 1/2" Reg	600	80	114	43	65	40	45	85	11-1304
2 3/8" IF	2 3/8" IF	1040	89	89	43	70	50	30	100	11-1435
2 3/8" IF	3 1/2" Reg	820	89	114	43	70	50	30	100	11-1434
3 1/2" Reg	3 1/2" Reg	700	114	114	43	95	50	30	90	11-1349
4 1/2" Reg	3 1/2" Reg	650	146	114	43	120/95	50	40	110	11-1328
4 1/2" Reg	4 1/2" Reg	600	140	140	58	120	50	30	105	11-1511



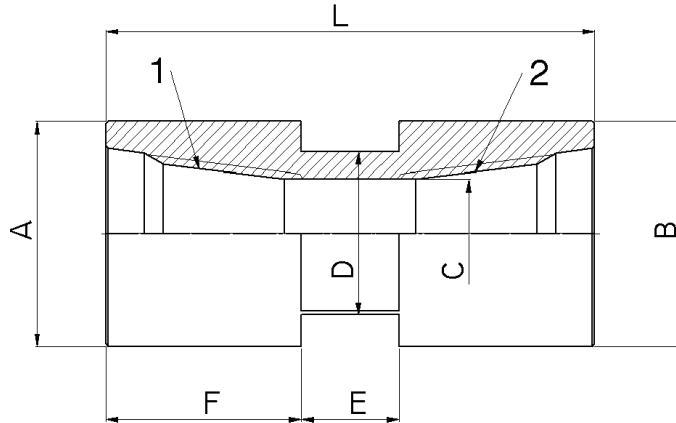
Thread Box 1	Thread Box 2	Measurements, mm							Product No.
		L	A	B	C	D	E	F	
ACT(NWY)	2 3/8" Reg	205	71	76	43	65	40	80	11-1098
ACT(NWY)	2 3/8" IF	220	71	89	43	65	40	80	11-1506
ACT(NWY)	2 7/8" Reg	233	71	89	43	65	40	89	11-1449
ACT(NWY)	4 1/2" Reg	225	76	140	43	120	50	45	11-1645
NC 35	NC 35	240	114	114	58	95	50	95	11-1135
NC 35	3 1/2" IF	240	114	120	58	95	50	95	11-1136
NC 35	4 1/2" Reg	240	114	146	58	120	50	95	11-1137
NC 35	4 1/2" FH	240	114	146	73	120	50	95	11-1138
NC 35	6 5/8" Reg	260	114	197	80	120	50	105	11-1139
RD 50-6	2 3/8" Reg	220	76	76	43	65	40	90	11-1101
RD 50-6	RD 70-4	200	89	89	43	65	40	80	11-1102
RD 50-6	3 1/2" Reg	200	76	115	43	95	50	50	11-1398
RD 70-4	RD 70-4	208	89	89	43	65	40	84	11-1567
RD 70-6	2 3/8" Reg	200	89	89	43	65	40	75	11-1105



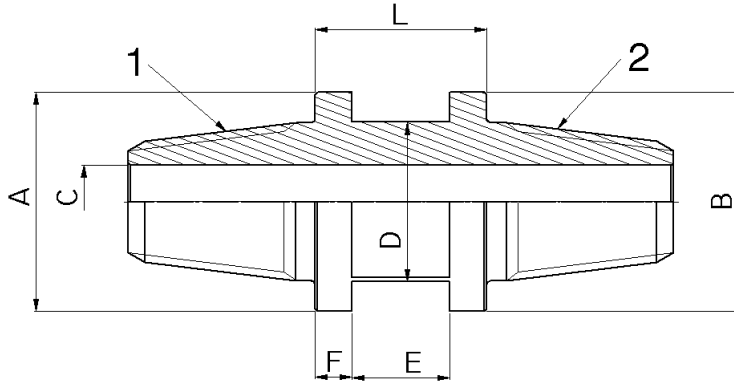
Thread Box 1	Thread Box 2	Measurements, mm							Product No.
		L	A	B	C	D	E	F	
2 3/8" Reg	Haus	200	76	67	43				11-1585
2 3/8" Reg	Holman	190	76	76	38	65	40	85	11-1333
2 3/8" Reg	"N"	205	76	76	43	65	40	85	11-1464
2 3/8" Reg	RD 70-4	190	89	89	43	65	40	75	11-1103
2 3/8" Reg	2 3/8" Reg	200	76	76	43	65	40	80	11-1106
2 3/8" Reg	2 3/8" Reg	200	76	76	43				11-1185
2 3/8" Reg	2 3/8" Reg	200	89	89	43	65	40	80	11-1107
2 3/8" Reg	2 3/8" Reg	203	89	89	43	70	40	83	11-1556
2 3/8" Reg	2 3/8" Reg	380	89	89	43	65	40	245	11-1318
2 3/8" Reg	2 3/8" Reg	420	89	89	43	65	40	75	11-1450
2 3/8" Reg	2 3/8" IF	220	89	89	43	65	40	75	11-1108
2 3/8" Reg	2 3/8" IF	700	89	89	43	65	40	75	11-1269
2 3/8" Reg	2 7/8" Reg	225	89	89	43	65	40	80	11-1109
2 3/8" Reg	2 7/8" IF	220	89	114	43	95	50	75	11-1110
2 3/8" Reg	3 1/2" Reg	210	89	114	43	95	50	80	11-1112
2 3/8" Reg	3 1/2" Reg	250	89	114	43	95	50	80	11-1501
2 3/8" IF	2 3/8" IF	240	89	89	43	65	40	100	11-1113
2 3/8" IF	2 7/8" Reg	245	89	89	43	65	40	100	11-1114
2 3/8" IF	2 7/8" Reg	240	89	89	43	65	40	100	11-1348
2 3/8" IF	3 1/2" Reg	200	89	114	52	95	50	65	11-1115



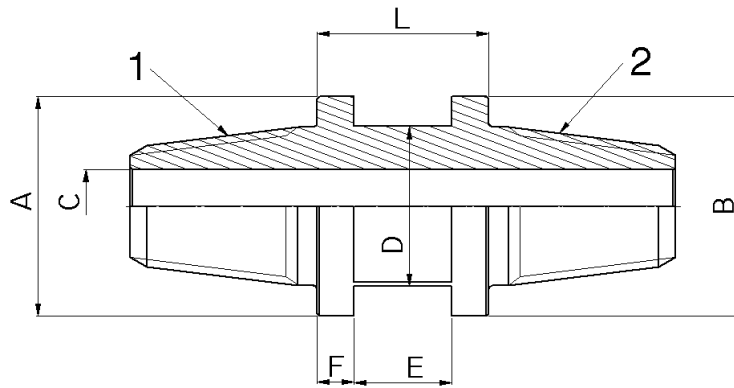
Thread Box 1	Thread Box 2	Measurements, mm							Product No.
		L	A	B	C	D	E	F	
2 7/8" Reg	2 7/8" IF	220	89	114	43	95	50	85	11-1116
2 7/8" Reg	3 1/2" Reg	230	89	114	43	95	50	95	11-1117
2 7/8" Reg	3 1/2" IF	230	89	114	43	95	5	95	11-1118
2 7/8" Reg	4 1/2" Reg	240	89	146	43	120	50	95	11-1119
2 7/8" Reg	4 1/2" FH	240	89	146	43	120	50	95	11-1120
2 7/8" IF	NC 35	220	114	114	63	95	50	75	11-1122
2 7/8" IF	2 7/8" IF	220	114	114	58	95	50	85	11-1574
2 7/8" IF	3 1/2" Reg	220	114	114	58	95	50	85	11-1121
2 7/8" IF	3 1/2" Reg	533	114	114	58	89	102	127	11-1631
3 1/2" Reg	NC 35	220	114	114	58	95	50	85	11-1128
3 1/2" Reg	RD 50-6	180	114	76	43	95	50	85	11-1296
3 1/2" Reg	RD 70-4	180	114	89	58	95	50	85	11-1104
3 1/2" Reg	2 3/8" IF	609	114	89	38	76	63	450	11-1519
3 1/2" Reg	3 1/2" Reg	220	114	114	58	95	50	85	11-1129
3 1/2" Reg	3 1/2" Reg	260	127	127	58	95	50	105	11-1491
3 1/2" Reg	3 1/2" Reg	355	114	114	58	98	63	102	11-1520
3 1/2" Reg	3 1/2" Reg	400	114	114	58	95	50	85	11-1127
3 1/2" Reg	3 1/2" IF	250	127	127	58	95	50	85	11-1130
3 1/2" Reg	3 1/2" IF	260	127	127	58	95	50	80	11-1312
3 1/2" Reg	4 1/2" Reg	240	114	146	58	120	50	85	11-1131
3 1/2" Reg	4 1/2" Reg	240	140	140	58	120	50	70	11-1313
3 1/2" Reg	4 1/2" FH	240	115	146	58	120	50	70	11-1133
3 1/2" Reg	4 1/2" IF	240	115	146	58	120	50	70	11-1132



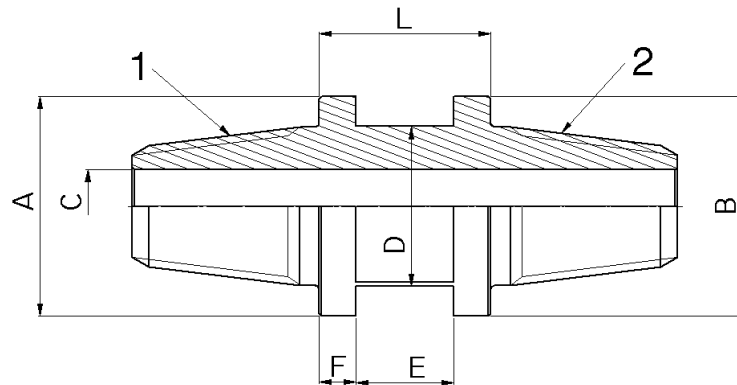
Thread Box 1	Thread Box 2	Measurements, mm							Product No.
		L	A	B	C	D	E	F	
3 1/2" IF	2 3/8" Reg	230	120	89	43	95	50	125	11-1300
3 1/2" IF	3 1/2" IF	240	120	146	58	120	50	70	11-1140
3 1/2" IF	4 1/2" Reg	240	120	146	79	120	50	70	11-1141
4 1/2" Reg	RD 90-4	240	146	127	58	120	50	100	11-1500
4 1/2" Reg	2 3/8" Reg	225	146	90	43	120	50	90	11-1213
4 1/2" Reg	2 3/8" IF	225	146	89	53	120	50	90	11-1323
4 1/2" Reg	2 7/8" IF	230	146	114	58	120	50	95	11-1123
4 1/2" Reg	4 1/2" Reg	300	146	146	80	120	50	125	11-1210
4 1/2" Reg	4 1/2" FH	300	146	146	80	120	50	125	11-1145
4 1/2" Reg	4 1/2" IF	300	158	158	80	120	50	105	11-1144
4 1/2" Reg	6 5/8" Reg	320	146	193	80	120	50	100	11-1146
4 1/2" FH	6 5/8" Reg	320	146	197	80	120	50	125	11-1147
6 5/8" Reg	2 3/8" Reg	330	197	89	43	65	40	210	11-1214
6 5/8" Reg	2 3/8" IF	351	197	89	43	65	40	210	11-1331
6 5/8" Reg	2 7/8" IF	270	200	114	65	120	50	192	11-1124
6 5/8" Reg	3 1/2" Reg	280	197	120	58	120	50	205	11-1134
6 5/8" Reg	3 1/2" IF	265	197	115	79	120	50	187	11-1142
6 5/8" Reg	4 1/2" IF	300	197	177	106	178	50	125	11-1337
6 5/8" Reg	6 5/8" Reg	300	200	200	120	178	50	125	11-1148
7 5/8" Reg	3 1/2" IF	320	225	120	58	120	50	70	11-1143



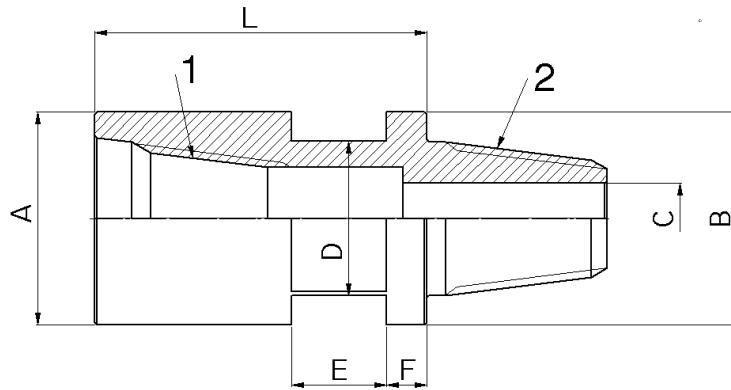
Thread Pin 1	Thread Pin 2	Measurements, mm							Product No.
		L	A	B	C	D	E	F	
ACT(NWY)	ACT(NWY)	90	67	67	30	55	40	25	11-1278
ACT(NWY)	RD 50-6	85	70	70	30	55	40	25	11-1149
ACT(NWY)	2 3/8" Reg	70	76	76	30	65	40	15	11-1150
ACT(NWY)	2 3/8" IF	70	76	76	30	65	40	15	11-1446
ACT(NWY)	3 1/2" Reg	70	114	114	30	95	50	10	11-1151
AWJ	RD 40-6	60	51	51	13	40	40	10	11-1335
NC 35	2 7/8" IF	90	115	115	53	95	50	20	11-1163
NC 35	3 1/2" IF	90	120	120	58	95	50	20	11-1168
RD 40-6	CR 60	90	60	60	20	50	40	25	11-1227
RD 40-6	RD 40-6	90	51	51	22	41	40	25	11-1529
RD 40-6	RD 50-6	90	55	70	22	55	40	25	11-1338
RD 50-6	CR 60	90	76	60	20	65	40	25	11-1255
RD 50-6	RD 50-6	70	60	60	30	48	40	15	11-1627
RD 50-6	RD 50-6	70	70	70	30	65	40	15	11-1152
RD 50-6	2 3/8" Reg	60	76	76	30	65	40	10	11-1153
RD 70-4	RD 70-4	70	89	89	43	65	40	15	11-1154
RD 70-4	RD 70-4	250	89	89	43	65	40	20	11-1630
RD 70-4	RD 70-4	440	89	89	43	65	40	80	11-1155
RD 70-4	2 3/8" Reg	70	89	89	30	65	40	15	11-1156
RD 70-4	2 3/8" Reg	440	89	89	30	65	40	385	11-1438
RD 70-4	2 7/8" IF	92	89	115	43	65	40	15	11-1241
RD 70-4	3 1/2" Reg	97	89	115	43	95	50	22	11-1157



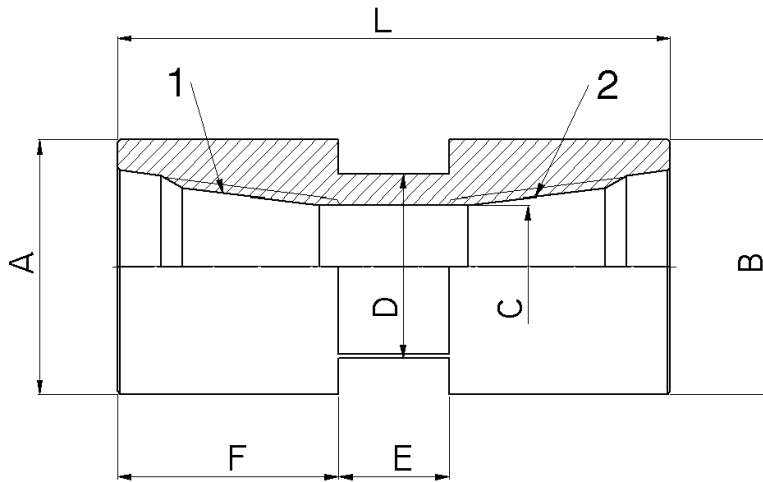
Thread Pin 1	Thread Pin 2	Measurements, mm							Product No.
		L	A	B	C	D	E	F	
2 3/8" Reg	HW	80	89	89	30	65	40	20	11-1508
2 3/8" Reg	RD 40-6	80	76	55	22	65	40	20	11-1307
2 3/8" Reg	2 3/8" Reg	70	76	76	30	65	40	15	11-1311
2 3/8" Reg	2 3/8" Reg	70	89	89	30	65	40	15	11-1158
2 3/8" Reg	2 3/8" Reg	250	89	89	30	65	40	20	11-1510
2 3/8" Reg	2 3/8" Reg	305	89	89	30	65	40	20	11-1288
2 3/8" Reg	2 3/8" IF	80	89	89	30	65	40	20	11-1209
2 3/8" Reg	2 7/8" Reg	70	89	89	30	65	40	15	11-1159
2 3/8" Reg	2 7/8" Reg	70	89	89	30	80	40	15	11-1593
2 3/8" Reg	2 7/8" IF	100	89	114	30	95	50	25	11-1238
2 3/8" IF	2 3/8" IF	70	89	89	43	65	40	15	11-1242
2 3/8" IF	2 7/8" Reg	70	89	89	38	65	40	15	11-1488
2 7/8" Reg	2 7/8" Reg	70	89	89	36	75	40	15	11-1595
2 7/8" Reg	3 1/2" Reg	100	100	115	34	95	50	25	11-1367
2 7/8" Reg	6 5/8" Reg	120	100	178	34	152	50	45	11-1368
2" Z	2" Z	70	76	76	25	65	40	15	11-1562



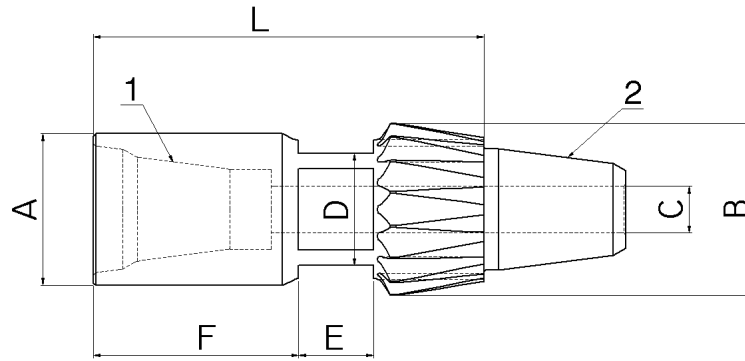
Thread Pin 1	Thread Pin 2	Measurements, mm							Product No.
		L	A	B	C	D	E	F	
3 1/2" Reg	NC 35	90	114	114	43	95	50	20	11-1165
3 1/2" Reg	RD 110-4	100	140	140	43	120	50	25	11-1259
3 1/2" Reg	2 3/8" Reg	97	114	89	30	95	50	23	11-1160
3 1/2" Reg	2 3/8" IF	100	114	89	43	95	50	25	11-1212
3 1/2" Reg	2 7/8" IF	90	114	114	43	95	50	20	11-1162
3 1/2" Reg	3 1/2" Reg	75	114	114	43	95	50	12	11-1387
3 1/2" Reg	3 1/2" Reg	90	114	114	43	95	50	20	11-1164
3 1/2" Reg	3 1/2" Reg	90	127	127	43	95	50	20	11-1536
3 1/2" Reg	3 1/2" Reg	100	120	140	43	120	50	25	11-1180
3 1/2" Reg	3 1/2" IF	90	120	120	43	95	50	20	11-1166
3 1/2" Reg	4 1/2" Reg	100	146	146	43	120	50	25	11-1167
3 1/2" IF	2 3/8" Reg	90	114	89	30	95	50	20	11-1161
3 1/2" IF	2 3/8" IF	100	114	89	43	95	50	25	11-1260
3 1/2" IF	2 7/8" IF	100	114	114	53	95	50	25	11-1125
3 1/2" IF	3 1/2" IF	100	114	114	58	95	50	25	11-1509
3 1/2" IF	6 5/8" Reg	150	120	197	58	178	50	60	11-1169
4 1/2" Reg	4 1/2" Reg	100	140	140	58	120	50	25	11-1170
5 1/2" IF	5 1/2" IF	400	197	197	70				11-1417
6 5/8" Reg	4" IF	560	199	145	76	115	65	430	11-1530



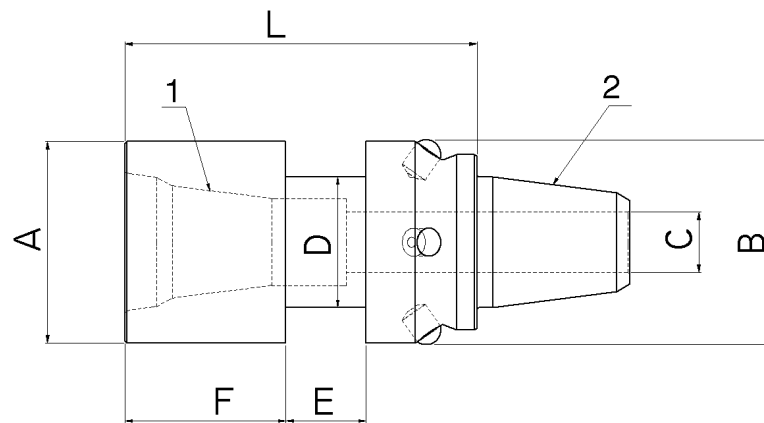
Thread Box 1	Thread Pin 2	Measurements, mm							Product No.
		L	A	B	C	D	E	F	
M62	RD 50-6	275	89	75	30	50	40	200	11-767475
M62	2 3/8" Reg	275	89	75	30	50	50	200	11-798242
M70	RD 50-6	150	89	70	30	50	40	50	11-761500
M70	RD 70-6	111	89	89	36	65	40	11	11-761499
2 3/8" Reg	RD 50-6	165	76	76	30	50	40	110	11-640217
2 3/8" Reg	M62	215	76	76	30	70	25	180	11-687703
2 3/8" Reg	M62	165	89	89	30	80	30	135	11-687218
2 3/8" Reg	M62	215	89	89	30	70	25	190	11-512674
2 7/8" Reg	M62	215	102	102	30	75	30	175	11-502994
3 1/2" Reg	M62	184	114	114	30	95	25	159	11-510992
3 1/2" Reg	M62	215	114	114	30	95	30	175	11-503612



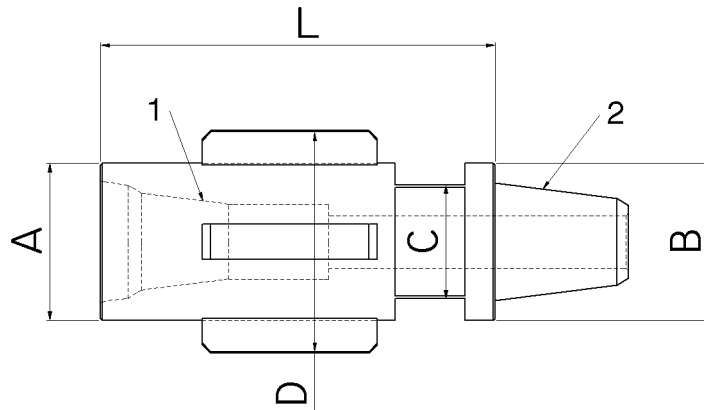
Thread Box 1	Thread Box 2	Measurements, mm							Product No.
		L	A	B	C	D	E	F	
RD 46-6	GG 2"	264	76	76	25	50	40	125	11-640331
RD 46-6	RD 50-6	240	76	76	25	50	40	125	11-640332
RD 46-6	2 3/8" Reg	264	76	76	25	50	40	125	11-798405
2 3/8" Reg	2 3/8" Reg	240	76	76	30	50	40	100	11-640201



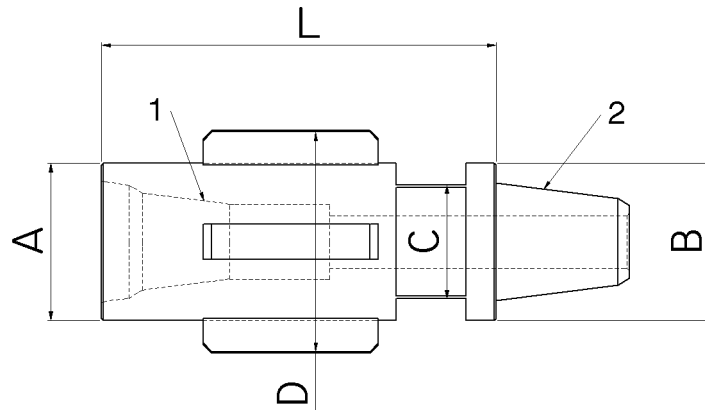
Thread Box 1	Thread Pin 2	Measurements, mm							Product No.
		L	A	B	C	D	E	F	
2 3/8" Reg	2 3/8" Reg	209	81	93	25	60	40	110	11-1371
3 1/2" Reg	3 1/2" Reg	265	115	127	43	95	50	95	11-1633
3 1/2" Reg	3 1/2" Reg	265	115	152	43	95	50	95	11-1649
4 1/2" Reg	4 1/2" Reg	265	146	196	58	120	50	95	11-1651
4 1/2" Reg	4 1/2" Reg	265	146	228	58	120	50	95	11-1652
4 1/2" Reg	4 1/2" Reg	265	146	266	58	120	50	95	11-1650



Thread Box 1	Thread Pin 2	Measurements, mm							Product No.
		L	A	B	C	D	E	F	
2 3/8" Reg	2 3/8" Reg	175	82	82	30	65	40	80	11-1302
2 3/8" Reg	2 3/8" Reg	175	89	92	30	65	40	80	11-1699
2 3/8" Reg	2 3/8" Reg	175	100	102	30	65	40	80	11-1700
2 3/8" Reg	2 3/8" Reg	175	98	105	30	65	40	80	11-1276
3 1/2" Reg	3 1/2" Reg	200	114	117	43	95	50	90	11-1701

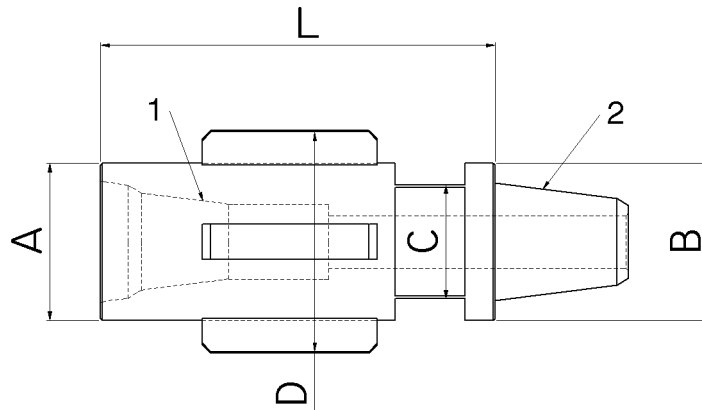

För Odex/Tubex borrning / For Odex/Tubex drilling

Thread Box 1	Thread Pin 2	Measurements, mm					Product No.
		L	A	B	C	D	
2 3/8" Reg	2 3/8" Reg	225	89	89	65	101	16-1001
2 3/8" Reg	2 3/8" Reg	225	89	89	65	127	16-1002
2 3/8" Reg	2 3/8" Reg	225	89	89	65	151	16-1003
2 3/8" Reg	2 3/8" Reg	225	89	89	65	177	16-1063
2 3/8" Reg	2 3/8" Reg	350	89	89	65	177	16-1140
2 3/8" Reg	2 3/8" Reg	225	89	89	65	202	16-1099
2 3/8" IF	2 3/8" IF	225	89	89	65	151	16-1101
3 1/2" Reg	2 3/8" Reg	300	114	89	65	151	16-1011
3 1/2" Reg	2 3/8" Reg	300	114	89	65	156	16-1047
3 1/2" Reg	2 3/8" Reg	300	114	89	65	177	16-1012
3 1/2" Reg	2 3/8" Reg	300	114	89	65	200	16-1013
3 1/2" Reg	2 3/8" Reg	300	114	89	65	202	16-1054
3 1/2" Reg	3 1/2" Reg	250	114	114	95	151	16-1004
3 1/2" Reg	3 1/2" Reg	250	114	114	95	177	16-1005
3 1/2" Reg	3 1/2" Reg	250	114	114	95	189	16-1089
3 1/2" Reg	3 1/2" Reg	250	114	114	95	200	16-1061
3 1/2" Reg	3 1/2" Reg	250	114	114	95	202	16-1006
3 1/2" Reg	3 1/2" Reg	300	114	114	95	247	16-1084
3 1/2" Reg	3 1/2" Reg	300	114	114	95	255	16-1083
3 1/2" Reg	3 1/2" Reg	300	114	114	95	295	16-1008
3 1/2" Reg	3 1/2" Reg	300	114	114	95	375	16-1143



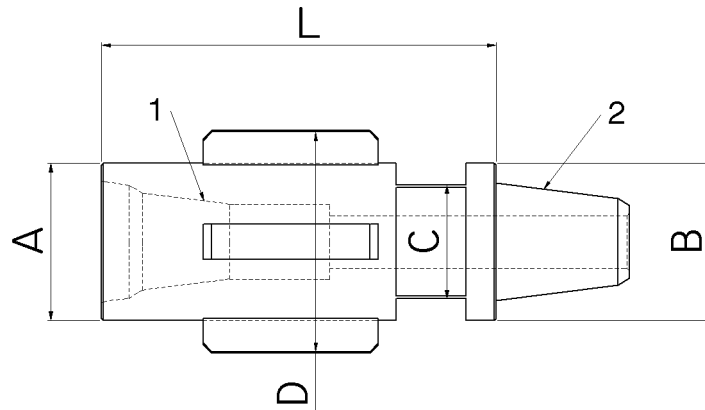
För Odex/Tubex borrning / For Odex/Tubex drilling

Thread Box 1	Thread Pin 2	Measurements, mm					Product No.
		L	A	B	C	D	
4 1/2" Reg	3 1/2" Reg	235	146	114	95	202	16-1097
4 1/2" Reg	3 1/2" Reg	235	146	114	95	247	16-1082
4 1/2" Reg	3 1/2" Reg	235	146	114	95	255	16-1081
4 1/2" Reg	3 1/2" Reg	235	146	114	95	295	16-1092
4 1/2" Reg	4 1/2" Reg	317	140	140	120	247	16-1100
4 1/2" Reg	4 1/2" Reg	317	140	140	120	255	16-1078
4 1/2" Reg	4 1/2" Reg	317	140	140	120	295	16-1079
4 1/2" Reg	4 1/2" Reg	317	140	140	120	376	16-1120
6 5/8" Reg	6 5/8" Reg	318	197	197	178	310	16-1096
6 5/8" Reg	6 5/8" Reg	318	197	197	178	375	16-1075



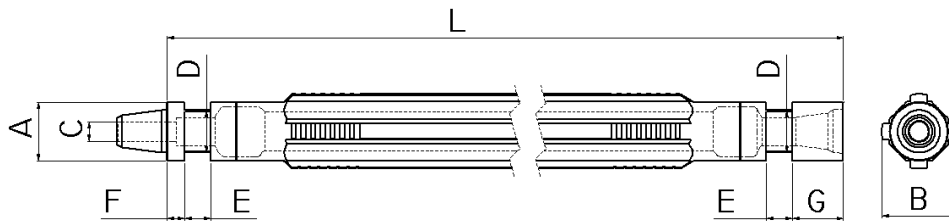
För precisionsborrning / For precision drilling

Thread Box 1	Thread Pin 2	Measurements, mm					Product No.
		L	A	B	C	D	
2 3/8" Reg	2 3/8" Reg	225	89	89	65	114	16-1050
2 3/8" Reg	2 3/8" Reg	225	89	89	65	139	16-1056
2 3/8" Reg	2 3/8" Reg	225	89	89	65	164	16-1057
2 3/8" Reg	2 3/8" Reg	225	89	89	65	170	16-1086
2 3/8" Reg	2 3/8" Reg	225	89	89	65	179	16-1064
2 3/8" Reg	2 3/8" Reg	225	89	89	65	207	16-1126
2 3/8" Reg	2 3/8" Reg	225	89	89	65	235	16-1077
3 1/2" Reg	2 3/8" Reg	300	114	89	65	139	16-1051
3 1/2" Reg	2 3/8" Reg	300	114	89	65	164	16-1052
3 1/2" Reg	2 3/8" Reg	300	114	89	65	182	16-1048
3 1/2" Reg	2 3/8" Reg	300	114	89	65	189	16-1053
3 1/2" Reg	2 3/8" Reg	300	114	89	65	202	16-1054
3 1/2" Reg	2 3/8" Reg	300	114	89	65	205	16-1049
3 1/2" Reg	3 1/2" Reg	250	114	114	95	139	16-1058
3 1/2" Reg	3 1/2" Reg	600	114	114	95	139	16-1139
3 1/2" Reg	3 1/2" Reg	250	114	114	95	164	16-1059
3 1/2" Reg	3 1/2" Reg	300	114	114	95	164	16-1136
3 1/2" Reg	3 1/2" Reg	600	114	114	95	164	16-1137
3 1/2" Reg	3 1/2" Reg	250	114	114	95	179	16-1062
3 1/2" Reg	3 1/2" Reg	250	114	114	95	185	16-1095
3 1/2" Reg	3 1/2" Reg	250	114	114	95	214	16-1060



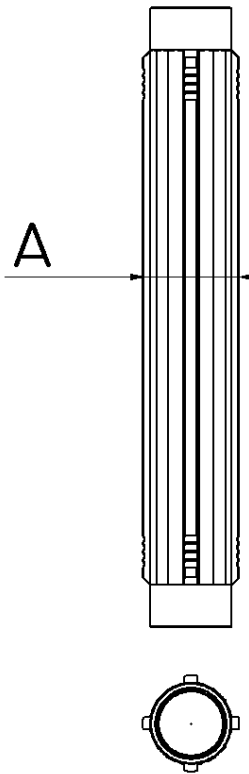
För precisionsborrning / For precision drilling

Thread Box 1	Thread Pin 2	Measurements, mm					Product No.
		L	A	B	C	D	
3 1/2" Reg	3 1/2" Reg	300	114	114	95	250	16-1104
3 1/2" Reg	3 1/2" Reg	300	114	114	95	300	16-1114
3 1/2" Reg	3 1/2" Reg	300	114	114	95	302	16-1007
3 1/2" Reg	3 1/2" Reg	300	114	114	95	325	16-1141
3 1/2" Reg	3 1/2" Reg	300	114	114	95	334	16-1111
3 1/2" Reg	3 1/2" Reg	300	114	114	95	343	16-1094
3 1/2" Reg	3 1/2" Reg	300	114	114	95	348	16-1087
3 1/2" Reg	3 1/2" Reg	300	114	114	95	475	16-1142
4 1/2" Reg	3 1/2" Reg	420	146	114	95	212	16-1144
4 1/2" Reg	3 1/2" Reg	235	146	114	95	219	16-1125
4 1/2" Reg	3 1/2" Reg	235	146	114	95	330	16-1107
4 1/2" Reg	3 1/2" Reg	235	146	114	95	350	16-1085
4 1/2" Reg	3 1/2" Reg	235	146	114	95	385	16-1088
4 1/2" Reg	4 1/2" Reg	317	140	140	120	216	16-1109
4 1/2" Reg	4 1/2" Reg	317	140	140	120	305	16-1113
4 1/2" Reg	4 1/2" Reg	317	140	140	120	330	16-1103
6 5/8" Reg	6 5/8" Reg	318	197	197	178	305	16-1093



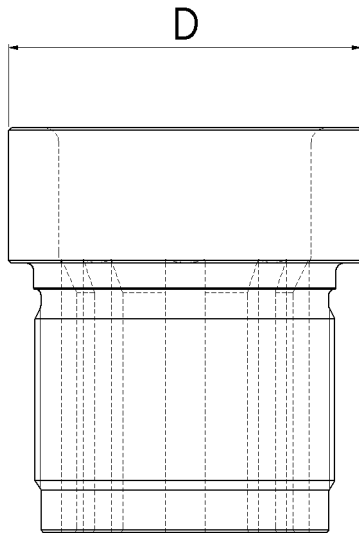
OD A	OD B	Length L	Weight Kg	Measurements, mm					Thread type	Product No.
				C	D	E	F	G		
76	111	3000	109	30	65	40	27	85	2 3/8" Reg	10-5032
89	105	1500	43	30	65	40	27	78	2 3/8" Reg	10-5068
89	110	1500	49	30	65	40	27	78	2 3/8" Reg	10-5029
89	113	1500	50	30	65	40	27	78	2 3/8" Reg	10-5026
89	114	1500	50	30	65	40	27	78	2 3/8" Reg	10-5015
89	139	1500	61	30	65	40	27	78	2 3/8" Reg	10-5016
89	119	1500	58	36	65	40	27	110	2 7/8" Reg	10-5067
89	129	1800	70	36	65	40	27	110	2 7/8" Reg	10-5062
114	139	1500	79	43	95	50	30	75	3 1/2" Reg	10-5018
114	139	2000	132	43	95	50	30	75	3 1/2" Reg	10-5025
114	140	1500	79	43	95	50	30	75	3 1/2" Reg	10-5022
114	164	1500	87	43	95	50	30	75	3 1/2" Reg	10-5019
114	164	2000	142	43	95	50	30	75	3 1/2" Reg	10-5023
114	164	3000	170	43	95	50	30	75	3 1/2" Reg	10-5064
140	158	2000	96	43	125	50		95	4" Z	10-5043
140	160	2000	100	43	125	50		95	4" Z	10-5042
140	162	2000	104	43	125	50		95	4" Z	10-5041
168	210	2000	212	43	125	50		95	4" Z	10-5060
168	212	2000	216	43	125	50		95	4" Z	10-5061
168	245	2000	248	43	125	50		95	4" Z	10-5065
168	248	2000	250	43	125	50		95	4" Z	10-5066

Ytterrör / Wear sleeves
Med styrning / With guiding



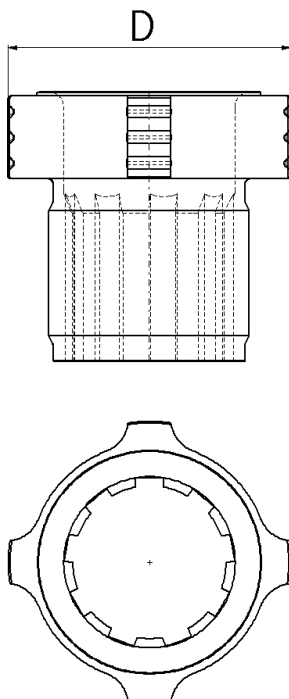
Hammer	A, mm	Product No.
DHD 350R	130	15-1009
DHD 350R	139	15-1003
DHD 360	164	15-1004
DHD 380	203	15-1010
SF6	164	15-1005
COP 42	110	15-1019
COP 42	111	15-1018
COP 42	112	15-1017
COP 42	113	15-1016
COP 42	114	15-1001
COP 44	105	15-1020
COP 44	114	15-1006
COP 44	124	15-1021
COP 54	139	15-1007
COP 54	141	15-1023
COP 62	164	15-1002
COP 64	164	15-1008
COP 64	166	15-1022

**Chuck
Standard**



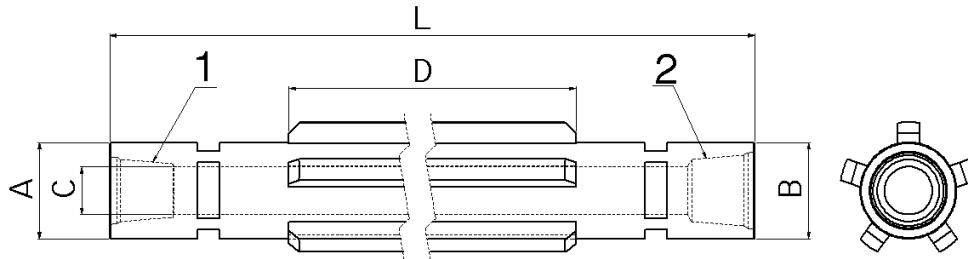
Hammer	A, mm	Product No.
DHD 340A		15-1223
DHD 350R	116	15-1215
DHD 350R	125	15-1216
DHD 360		15-1217
COP 32		15-1149
COP 42		15-1219
COP 44		15-1132
COP 52		15-1137
COP 54		15-1133
COP 62		15-1148
COP 64		15-1131
QL-5		15-1221
Mincon 5"		15-1155

**Chuck
Med styrning / With guiding**



Hammer	A, mm	Product No.
DHD 350R	139	15-1134
DHD 350R	170	15-1156
DHD 360	164	15-1126
DHD 360	214	15-1129
DHD 380	203	15-1136
DHD 380	215	15-1158
COP 42	114	15-1120
COP 44	105	15-1153
COP 44	114	15-1121
COP 44	118	15-1141
COP 54	139	15-1122
COP 62	164	15-1124
COP 62	214	15-1125
COP 64	164	15-1123
QL-5	124	15-1128
QL-5	139	15-1151

Bottom hole type

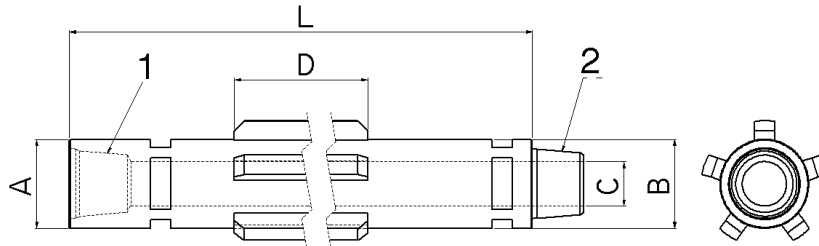


Hole size	Thread type 1	Thread type 2	OD A	OD B	Length L	C	D	Weight Kg	Product No.
7 7/8"	3 1/2" IF	4 1/2" Reg	140	140	1220	65	254	191	12-1229
8 1/2"	3 1/2" IF	4 1/2" Reg	140	140	1220	65	254	205	12-1230
9 7/8"	3 1/2" IF	6 5/8" Reg	140	203	1525	65	711	300	12-1234
10 5/8"	3 1/2" IF	6 5/8" Reg	140	203	1525	65	711	315	12-1235
12"	3 1/2" IF	6 5/8" Reg	140	200	2438	65	1524	587	12-1256
12 1/4"	3 1/2" IF	6 5/8" Reg	140	203	1525	65	711	350	12-1237
12 1/4"	6 5/8" Reg	6 5/8" Reg	203	203	1525	65	711	355	12-1248
12 1/4"	6 5/8" Reg	6 5/8" FH	219	219	1525	109	711	380	12-1252
14 3/4"	6 5/8" Reg	6 5/8" Reg	203	203	1525	65	711	407	12-1249
14 3/4"	7 5/8" Reg	6 5/8" FH	219	219	1525	109	711	420	12-1253
17 1/2"	6 5/8" Reg	6 5/8" Reg	203	203	1525	65	711	459	12-1250
17 1/2"	7 5/8" Reg	6 5/8" FH	219	219	1525	109	711	469	12-1254
24"	7 5/8" Reg	6 5/8" FH	219	219	1525	109	711	584	12-1255

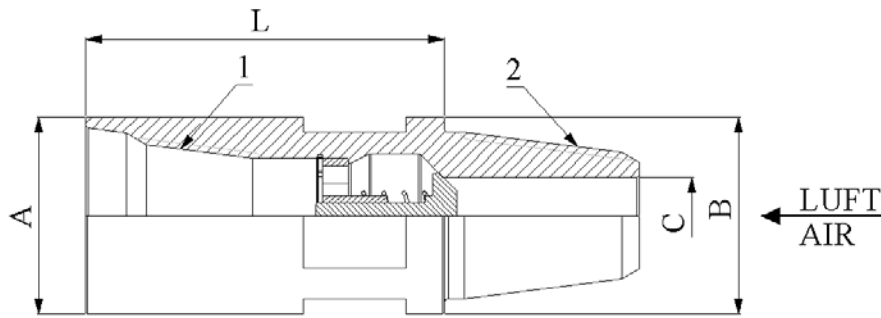
Stabilizer med Box x Box gänga är förberedda för Baker backventil, dessa måste beställas separat.

Stabilizer in Bottom hole types are prepared for Baker float valve, those have to be ordered separately.

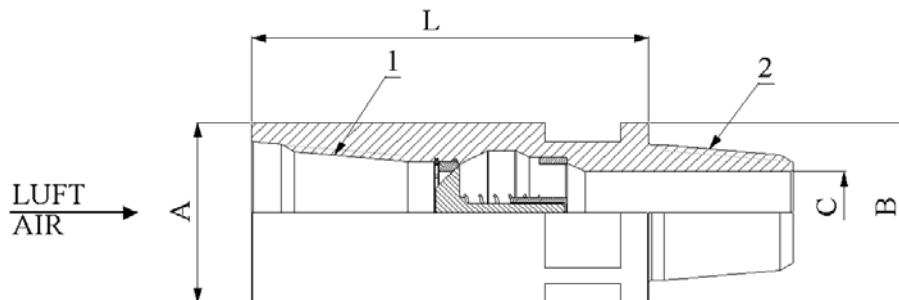
String type



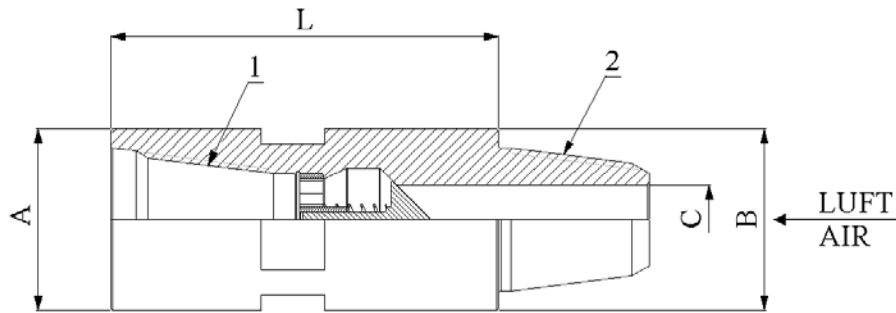
Hole size	Thread type 1	Thread type 2	OD A	OD B	Length L	C	D	Weight Kg	Product No.
3"	NWY	NWY	67	67	1000	30	400	100	12-1262
7 1/2"	4 1/2" Reg	3 1/2" Reg	140	140	1000	43	500	129	12-1280
7 7/8"	3 1/2" IF	3 1/2" IF	140	140	1220	65	558	189	12-1205
8"	2 3/8" IF	2 3/8" IF	140	140	1448	43	1000	206	12-1257
8"	4 1/2" Reg	3 1/2" Reg	140	140	1000	43	500	136	12-1279
8 1/2"	3 1/2" Reg	3 1/2" Reg	140	140	1220	43	558	164	12-1503
8 1/2"	3 1/2" IF	3 1/2" IF	140	140	1220	65	558	198	12-1206
9 5/8"	4 1/2" Reg	4 1/2" Reg	140	140	1220	58	550	176	12-1275
10 5/8"	6 5/8" Reg	6 5/8" Reg	200	200	1500	80	711	355	12-1271
12 1/4"	6 5/8" Reg	6 5/8" Reg	200	200	1525	65	711	410	12-1263
12 1/4"	6 5/8" FH	6 5/8" FH	219	219	1525	109	711	397	12-1265
14 3/4"	6 5/8" FH	6 5/8" FH	219	219	1525	109	711	442	12-1266
17 1/2"	6 5/8" FH	6 5/8" FH	219	219	1525	109	711	491	12-1267
24"	6 5/8" FH	6 5/8" FH	219	219	1525	109	711	606	12-1268



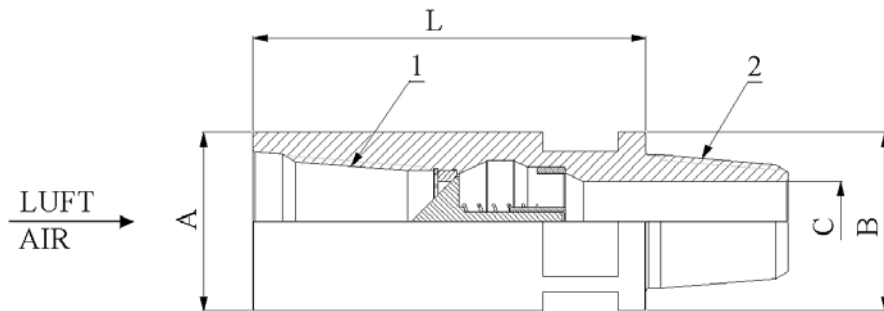
Thread Box (1)	Thread Pin (2)	Measurements, mm				Check valve	Product No.
		L	A	B	C		
RD 70-4	RD 70-4	170	89	89	30	FA D30	13-1088
2 3/8" Reg	2 3/8" Reg	140	76	76	30	FA D30	13-1068
2 3/8" Reg	2 3/8" Reg	140	89	89	30	FA D30	13-1074
2 3/8" IF	2 3/8" IF	197	89	89	30	FA D30	13-1089
2 7/8" Reg	2 7/8" Reg	170	89	89	30	FA D30	13-1090



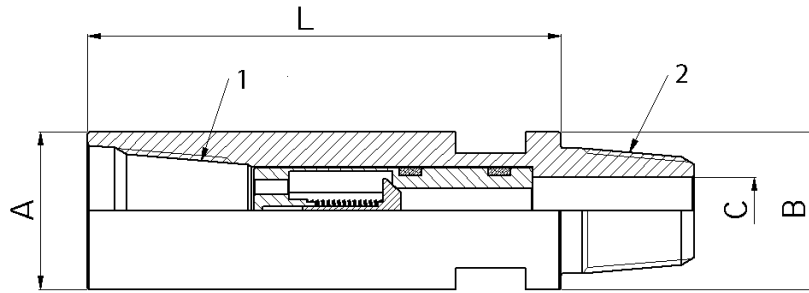
Thread Box (1)	Thread Pin (2)	Measurements, mm				Check valve	Product No.
		L	A	B	C		
RD 70-4	RD 70-4	160	89	89	30	FA D30R	13-1091
2 3/8" Reg	2 3/8" Reg	140	76	76	30	FA D30R	13-1092
2 3/8" Reg	2 3/8" Reg	140	89	89	30	FA D30R	13-1093



Thread Box (1)	Thread Pin (2)	Measurements, mm				Check valve	Product No.
		L	A	B	C		
3 1/2" Reg	3 1/2" Reg	210	114	114	43	FA D43	13-1094
3 1/2" Reg	3 1/2" Reg	210	127	127	43	FA D43	13-1095
3 1/2" Reg	3 1/2" Reg	210	140	140	43	FA D43	13-1096
4 1/2" Reg	3 1/2" Reg	230	140	140	43	FA D43	13-1097



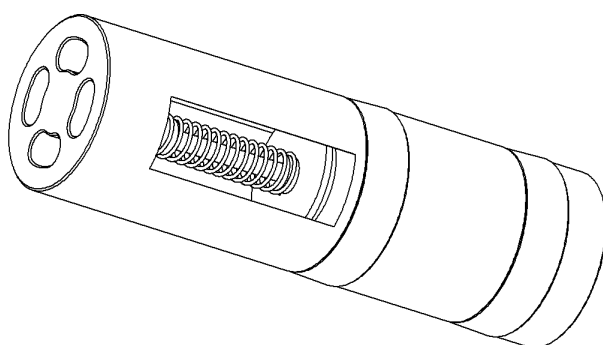
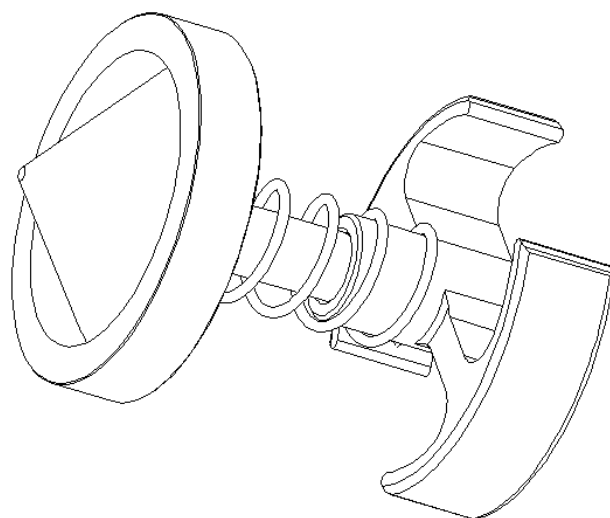
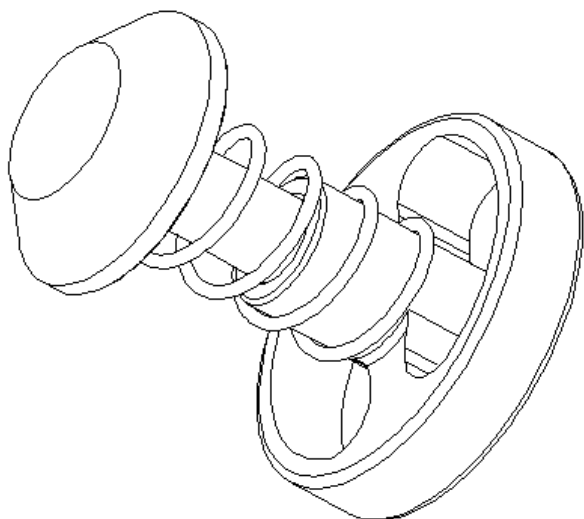
Thread Box (1)	Thread Pin (2)	Measurements, mm				Check valve	Product No.
		L	A	B	C		
3 1/2" Reg	3 1/2" Reg	230	114	114	43	FA D43R	13-1098
3 1/2" Reg	3 1/2" Reg	230	127	127	43	FA D43R	13-1099
3 1/2" Reg	3 1/2" Reg	230	140	140	43	FA D43R	13-1200
4 1/2" Reg	3 1/2" Reg	260	140	140	43	FA D43R	13-1201

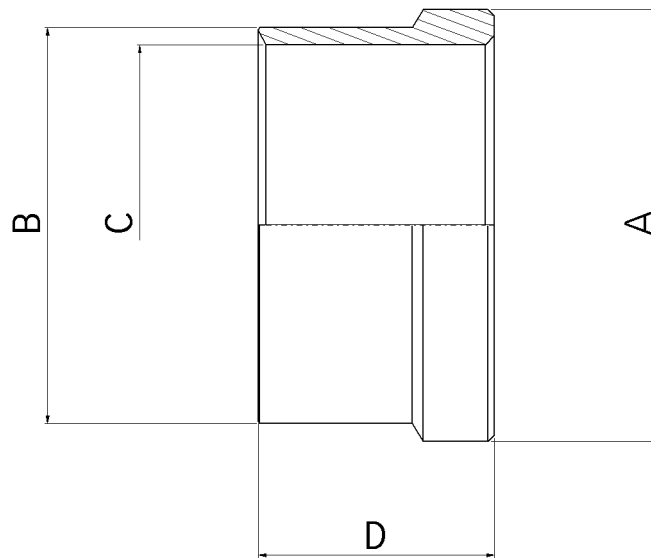


Thread Box (1)	Thread Pin (2)	Measurements, mm				Check valve	Product No.
		L	A	B	C		
2 3/8" IF	2 3/8" IF	270	89	89	38	1F-2R	13-1025
2 7/8" IF	2 7/8" IF	300	114	114	47	2F-3R	13-1023
3 1/2" Reg	3 1/2" Reg	300	114	114	47	2F-3R	13-1026
6 5/8" Reg	4" FH	609	197	140	58	5F-6R	13-1060
6 5/8" Reg	6 5/8" Reg	609	197	197	80	5F-6R	13-1056
7 5/8" Reg	6 5/8" Reg	609	225	200	80	5F-6R	13-1055
NC35	NC35	300	114	114	47	2F-3R	13-1202
4 1/2 Reg	4 1/2 Reg	350	140	140	47	2F-3R	13-1203

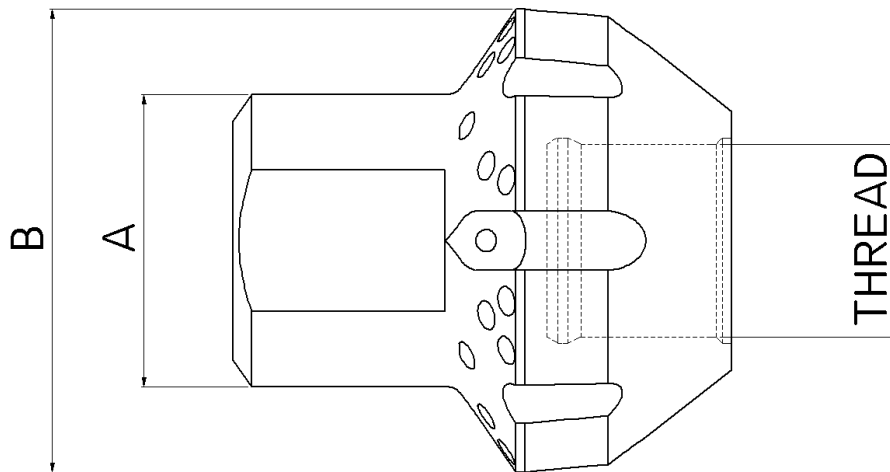
Reparationssetter Repair kit

Typ av backventil Type of in line check valve	Product No.
1F-2R	13-1054
2F-3R	13-1053
5F-6R	13-1022
FA D30	13-5012
FA D30R	13-5015
FA D43	13-5014
FA D43R	13-5013



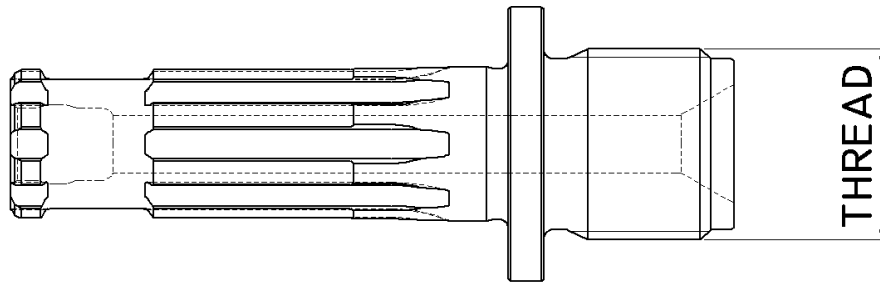


Type	Measurements, mm				Product No.	
	A	B	C	D	Light duty	Heavy duty
Tubex 90	114,3	101,5	93,0	80,0	14-1015	14-1016
Tubex 90	114,3	105,5	93,0	80,0	14-1041	14-1042
Tubex 115	139,7	128,0	117,5	76,5	14-1017	14-1018
Tubex 115	139,7	131,0	117,5	76,5	14-1043	14-1044
Tubex 140	168,3	156,5	143,5	90,0	14-1019	14-1020
Tubex 140	168,3	158,0	143,5	90,0	14-1045	14-1046
Tubex 140	168,3	159,0	142,2	90,0	14-1139	
Tubex 165	193,7	182,0	170,0	90,0	14-1021	14-1022
Tubex 190	219,1	205,0	193,0	110,0	14-1023	14-1024
Tubex 190	219,1	205,0	193,0	110,0	14-1049	14-1050
Tubex 240	273,1	258,0	242,0	110,0	14-1025	14-1026
Tubex 240	273,1	261,4	242,0	110	14-1144	



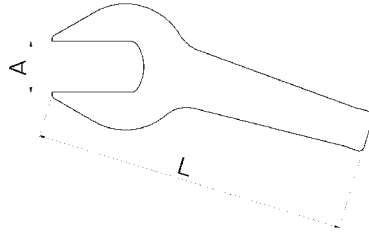
OD A	OD B	Thread type	Product No.
96	295	#150	21-2125
96	305	#150	21-2119
108	160	#80	21-2002
108	165	#80	21-2005
108	178	#80	21-2001
134	180	#110	21-2100
134	203	#110	21-2102
134	214	#110	21-2011
134	216	#110	21-2007
135	238	#110	21-2110
135	243	#110	21-2109
158	198	#110	21-2126
158	216	#110	21-2008
158	251	#110	21-2128
158	254	#110	21-2065
158	280	#150	21-2122
158	283	#150	21-2121
158	305	#150	21-2010
158	311	#180	21-2129

OD A	OD B	Thread type	Product No.
195	305	#150	21-2116
198	327	#150	21-2124
198	330	#150	21-2123
200	375	#150	21-2130
208	280	#150	21-2095
208	305	#150	21-2019
208	355	#150	21-2012
210	278	#150	21-2111
210	282	#150	21-2112
210	285	#150	21-2113
247	305	#150	21-2064
247	355	#150	21-2022
290	355	#150	21-2056
290	355	#180	21-2118
295	381	#150	21-2045
345	406	#180	21-2013
345	445	#220	21-2063
440	500	#220	21-2115



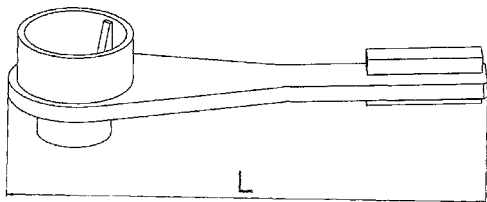
Hammare/ Hammer	Thread type	Product No.
COP 42	#70	21-1005
COP 42	#80	21-1001
IR QL-5	#110	21-1068
COP 62	#80	21-1006
COP 62	#110	21-1007
COP 62	#150	21-1008
DHD 340A	#70	21-1015
DHD 340A	#80	21-1016
DHD 350R	#70	21-1002
DHD 350R	#80	21-1017
DHD 350R	#110	21-1018
DHD 360	#80	21-1002
DHD 360	#110	21-1004
DHD 360	#150	21-1019
DHD 380	#110	21-1009

Hammare/ Hammer	Thread type	Product No.
DHD 380	#150	21-1010
DHD 380	#180	21-1011
DHD 380	#220	21-1025
DHD 112A	#180	21-1032
DHD 112A	#220	21-1014
Mission B53- 15	#80	21-1020
Mission B53- 15	#110	21-1021
Mission B53- 15	#150	21-1022
Mission A63- 15	#110	21-1032
Mission A63- 15	#150	21-1024
Mission A63- 15	#220	21-1030
Mach 80	#150	21-1067
SD 12	#220	21-1013
Numa 100	#180	21-1031

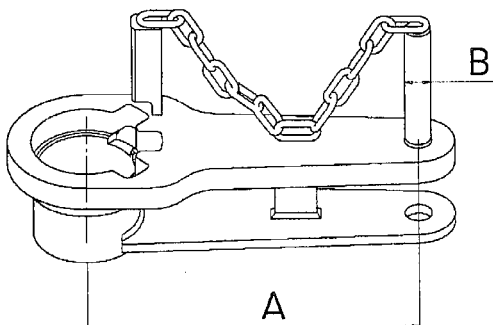


A	L	Product No.
32,5	450	17-1001
38	450	17-1053
45	450	17-1049
48	450	17-1072
50	450	17-1058
55	450	17-1002
65	450	17-1003
70	450	17-1004
75	450	17-1005
90	500	17-1028
95	500	17-1006
100	500	17-1052

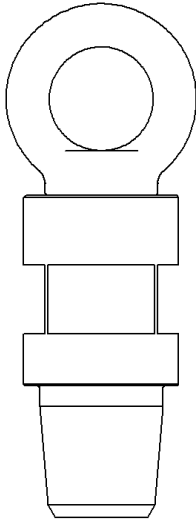
A	L	Product No.
102	500	17-1027
105	500	17-1047
110	500	17-1036
120	550	17-1007
127	550	17-1068
130	550	17-1048
140	600	17-1008
150	600	17-1055
175	700	17-1009
178	700	17-1010
220	725	17-1011



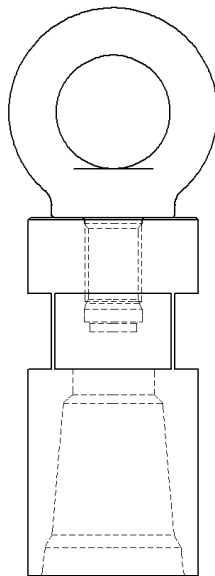
Kronidia			
Odex/ Tubex	Bit size mm	L	Product No.
76	64-76	580	17-1019
90	76-90	580	17-1020
	85-100	580	17-1021
115	105-115	580	17-1022
140	127-140	600	17-1023
165	150-165	620	17-1024
190	178-190	650	17-1025
215	203-215	700	17-1026
240	220-250		17-1038



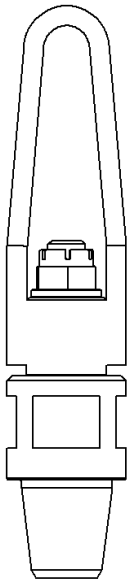
Styrning/Guide device			
Odex/ Tubex	A	B	Product No.
90	310	25	17-1012
115	310	25	17-1013
140	365	25	17-1014
165	345	25	17-1015
190	370	25	17-1016
215	385	25	17-1017
240	405	25	17-1018



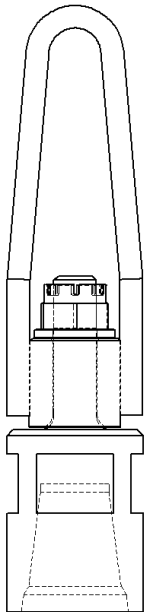
Thread type	Product No.
2 3/8" Reg	22-1201
2 3/8" IF	22-1202
2 7/8" Reg	22-1203
2 7/8" IF	22-1204
3 1/2" Reg	22-1205
NC 35	22-1206
3 1/2" IF	22-1207
4 1/2" Reg	22-1208
4 1/2" FH	22-1209
6 5/8" Reg	22-1210



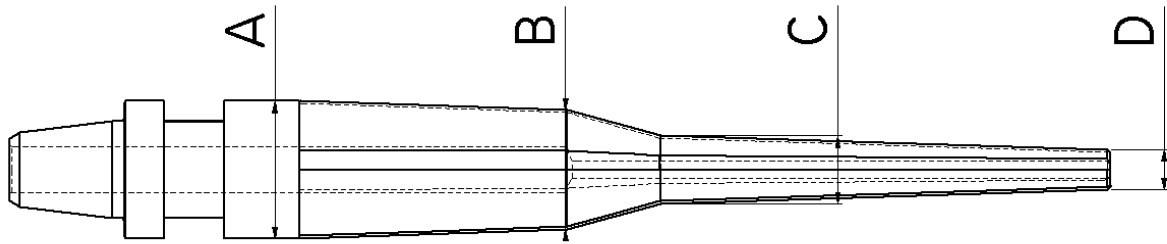
Thread type	Product No.
2 3/8" Reg	22-1211
2 3/8" IF	22-1212
2 7/8" Reg	22-1213
2 7/8" IF	22-1214
3 1/2" Reg	22-1215
NC 35	22-1216
3 1/2" IF	22-1217
4 1/2" Reg	22-1218
4 1/2" FH	22-1219
4 1/2" IF	22-1225
6 5/8" Reg	22-1220



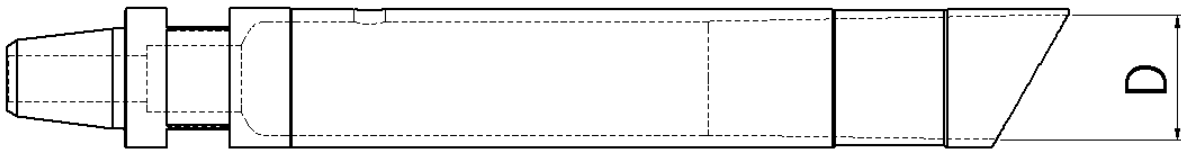
Thread type	Product No.
2 3/8" Reg	22-1011
2 3/8" IF	22-1012
2 7/8" Reg	22-1013
2 7/8" IF	22-1014
3 1/2" Reg	22-1015
NC 35	22-1016
3 1/2" IF	22-1017
4 1/2" Reg	22-1018
4 1/2" FH	22-1019
6 5/8" Reg	22-1020



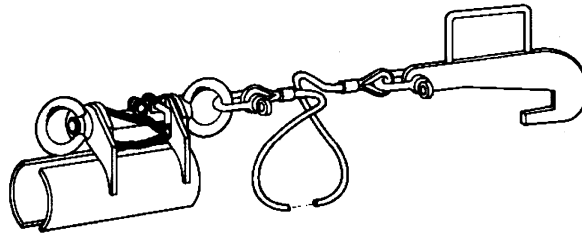
Thread type	Product No.
2 3/8" Reg	22-1002
2 3/8" IF	22-1003
2 7/8" Reg	22-1004
2 7/8" IF	22-1005
3 1/2" Reg	22-1001
NC 35	22-1006
3 1/2" IF	22-1007
4 1/2" Reg	22-1008
4" FH	22-1009
6 5/8" Reg	22-1010



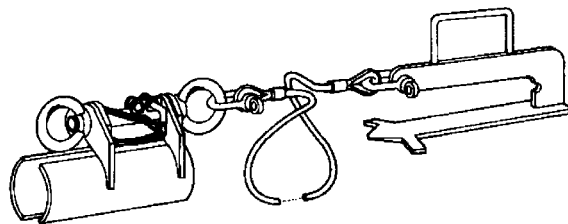
Pin connection	A	B	C	D	Product No.
2 3/8" Reg	91	75	45	26	22-1041
3 1/2" Reg	114	76	60	34	22-1042
NC 35	114	76	60	34	22-1156
LT 425	133	110	90	48	22-1423



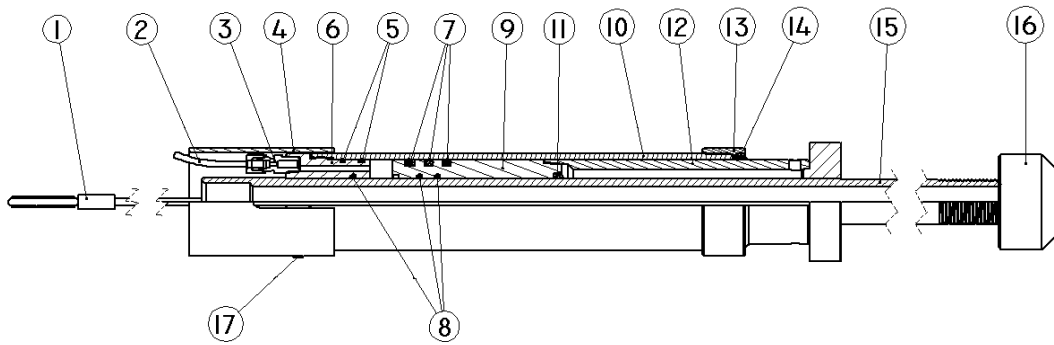
Pin connection	D, mm	For catching	Product No.
2 3/8" Reg	81,5	Borrör/Drilltube OD 76 mm	22-1043
2 3/8" Reg	94	Borrör/Drilltube OD 89 mm	22-1044
3 1/2" Reg	120	Borrör/Drilltube OD 114 mm	22-1046
LT 425	140	Borrör/Drilltube OD 133 mm	22-1422
2 7/8" IF	148	Borrör/Drilltube OD 140 mm	22-1152
4 1/2" Reg	144	Borrör/Drilltube OD 140 mm	22-1085
2 7/8" IF	175	Borrör/Drilltube OD 165 mm	22-1153
2 7/8" IF	220	Borrör/Drilltube OD 203 mm	22-1154
2 7/8" IF	239	Borrör/Drilltube OD 230 mm	22-1155
2 3/8" Reg	100	COP 44	22-1158
3 1/2" Reg	124	COP 54	22-1159
3 1/2" Reg	148	COP 64	22-1047



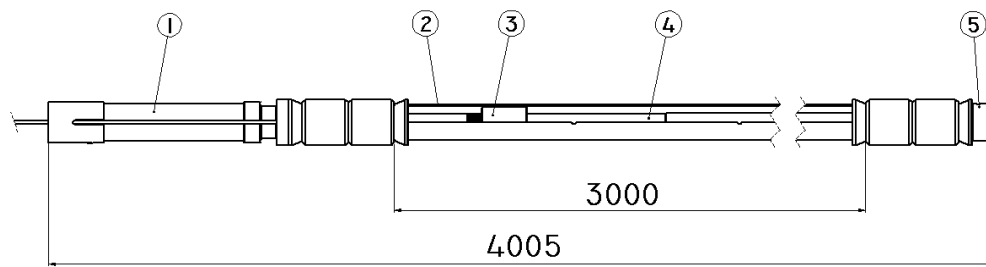
OD, mm	Drilltube	Collar	Lenght,m	Product No.
89	X		3	22-1048
89	X		6	22-1049
114	X		3	22-1050
114	X		6	22-1051
114	X		7,62	22-1073
114		X	3	22-1052
127		X	3	22-1062
127		X	6	22-1053
140		X	3	22-1075
140		X	6	22-1054
159		X	3	22-1066
200		X	3	22-1076
200		X	6	22-1055



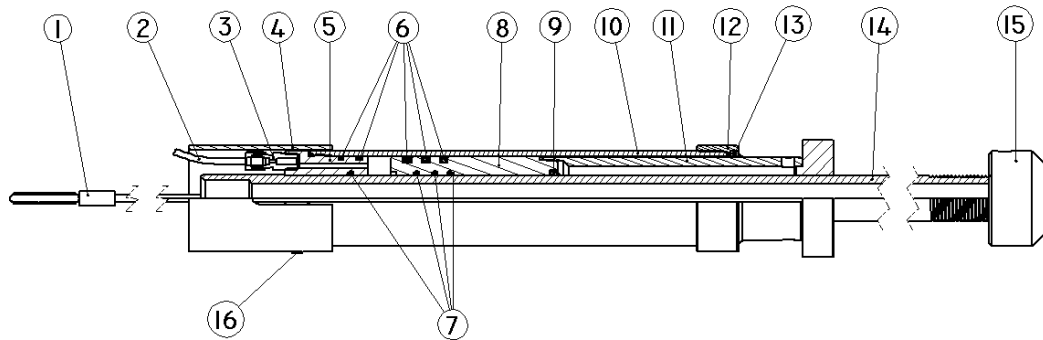
Odex	Lenght,m	Product No.
115	3	22-1056
140	3	22-1057
165	3	22-1058
190	3	22-1059
215	3	22-1060
240	3	22-1061
240	6	22-1082
280	3	22-1082



Item.	Description	Quantity	Product No.
	K 700, Basic unit		18-1001
	Rek. arbetsområde 105-165 mm		
	Rec range of work 105-165 mm		
	1" anslutning uppåt		
	Connection 1" Box thread upwards		
1	Vajer hängslse / Safety cable set	1	12-1206
2	Hydraulslang / Hydraulic Hose	1	Utrustn. / Access.
3	Nippel / Nipple	1	56-1017
4	Stenfång / Stone collector	1	18-1205
5	O-Ring 64x3	2	56-1010
6	Gavel / Gable	1	18-1204
7	O-Ring 59,2x5,7	3	56-1011
8	O-Ring 38x4	3	56-1012
9	Kolv / Piston OD 70 mm	1	18-1200
10	Cylinder	1	18-1203
11	Avstryckare / Stripper 38/48x7/10	1	56-1008
12	Kolvförlängare / Piston extension	1	18-1202
13	Hållare avstryckare / Stripper holder	1	18-1207
14	Avstryckare / Stripper 70/80x7/10	1	56-1009
15	Kolvstång / Piston rod OD 38x25 mm	1	18-1201
16	Spetsmutter / Nut	1	18-1208
17	Skruv / Screw M8x15	1	56-1034



Item.	Description	Quantity	Product No.
	K 700D, Basic unit		18-1002
	Rek. arbetsområde 105-165 mm		
	Rec range of work 105-165 mm		
	1" anslutning uppåt		
	Connection 1" Box thread upwards		
1	Hydraulmanchett / Packer K700	1	18-1001
2	Distansrör / Distans tube	1	18-1223
3	Skravmuff / Connection box	1	18-1205
4	Kolvstångsförlängare / Piston rod extension	1	56-1010
5	Spetsmutter / Cap nut	1	18-1204



Item.	Description	Qty	Product No.
	K 900 Basic		18-1004
	Enkelverkande hydraulik		
	Rek. Arbetsområde dia. 140-254 mm		
	1 1/2" Box anslutning uppåt		
	Single acting hydraulic		
	Rec. Range of work Dia. 140-254 mm		
	Connection 1 1/2" Box thread upwards		
1	Vajerhänglse / safety cable set	1	18-1306
2	Hydraulslang / Hydraulic hose	1	Utrustn./ Acces.
3	Nippel / Nipple	1	56-1017
4	Stenfång / Stone collector	1	18-1305
5	Gavel / Gable	1	18-1304
6	O-Ring 90x5	5	56-1018
7	O-Ring 60x5	4	56-1019
8	Kolv / Piston OD 100 mm	1	18-1300
9	Avstryckare / Stripper 60/74/7	1	56-1020
10	Cylinder	1	18-1303
11	Kolvförlängare / Piston extension	1	18-1302
12	Hållare / Stripper holder	1	18-1307
13	Avstryckare / Stripper 100/110x7/10	1	56-1021
14	Kolvstång / Piston rod OD 60x40 mm	1	18-1301
15	Ändmutter / Nut	1	18-1308
16	Skruv / Screw M8x15	1	56-1034

Hydraulisk tryckmanchett, tillbehör
Hydraulic packer, accessories

Description	Product No.	Product No.
For Packer K 700 - K700D	Gummi (4st)	Ändbricka (2st)
Hål diam. / Hole Diam.	Expanding seal (4psc)	End washer (2 psc)
105 mm	18-1030	18-1070
115 mm	18-1031	18-1071
130 mm	18-1032	18-1072
140 mm	18-1033	18-1073
156 mm	18-1034	18-1074
165 mm	18-1035	18-1075
203 mm	18-1042	18-1081
For Packer K 900	Gummi (4st)	Ändbricka (2st)
Hål diam. / Hole Diam.	Expanding seal (4psc)	End washer (2 psc)
140 mm	18-1041	18-1080
156 mm	18-1036	18-1076
165 mm	18-1037	18-1077
203 mm	18-1038	18-1078
254 mm	18-1039	18-1079
Hydraulslang / Hydraulic hose		
30 m		18-1090
40 m		18-1094
50 m		18-1089
70 m		18-1096
100 m		18-1095
Hydraulolja / Hydraulic oil , 1 liter		18-1093
Hydraulpump kompl. / Hydraulic pump compl.		18-1091
Reparationssats för hydraulpump / Repair kit for hydraulic pump		18-1101
Ventilpaket kompl. / Valve unit complete, Max tryck/pressure 315 bar		18-1092
Reparationssatser / Repair kit		
K 700 , K700D		18-1100
K 900		18-1104

Specialised and standard products are available
for DTH, ROTARY, HDD and RC drilling methods.
For all types of drill rigs, in all locations.

Contact us for more information:
driconeq.com

